

RECREATIONAL/POWERSPORT/MARINE
SERIES
SPEAKERS



UM65/UM8/SM52/SM65/SM8

USER MANUAL

Cerwin Vega Mobile Speakers

Congratulations for purchasing Cerwin Vega Mobile speakers for your car audio system. You have chosen Cerwin Vega Mobile because you deserve the best!

Cerwin Vega Mobile speakers are designed and engineered to reproduce great sound quality for many years of listening enjoyment in your vehicle!

We highly recommend that your new speakers be installed by an authorized Cerwin Vega Mobile dealer. Your authorized dealer can professionally assemble/disassemble the interior of your vehicle and set the proper speaker placement for ideal sound quality.

If you decide to install the speakers by yourself, please thoroughly read through this manual before getting started. This manual will help familiarize yourself with these speakers and guide you through the installation process and procedures.

Please contact your local authorized Cerwin Vega Mobile dealer if you have any questions regarding the instructions in this manual. If you require additional assistance, please contact the Cerwin Vega Mobile Technical Support Department during business hours at 213.261.4161

Installation

Contents

- (1) Pair Marine Grade Speakers
- (1) Pair Removable Trim Rings
- (8) Philips head stainless screws

Installation Considerations before attempting Install, follow the rules:

1. Be sure to carefully read and understand the instructions before attempting to install these speakers.
2. For safety, disconnect the negative battery terminal from the battery prior to beginning the installation.
3. For easier assembly, we suggest you run all wires prior to mounting your speakers in place.
4. Use high quality connectors for a reliable installation and to minimize signal or power loss.
5. Think before you drill! Be careful not to cut or drill into gas tanks, fuel lines, brake or hydraulic lines, vacuum lines or electrical wiring when working on any vehicle. If installation in a boat, take care not to cut or drill through the main hull.
6. Never run wires underneath the vehicle. Running the wires inside the vehicle or hull area provides the best protection.
7. Avoid running wires over or through sharp edges. Use rubber or plastic grommets to protect any wires routed through metal, especially the firewall.

Mounting

1. Determine where the speakers will be mounted. Ensure an area large enough for the speaker to mount evenly. Be sure that the mounting location is deep enough for the speaker to fit; if mounting in a door, operate all functions (windows, locks, etc.) through their entire operating range to ensure there is no obstruction.
2. Refer to the specification chart to determine the proper diameter hole to cut for your speaker model. Cutting and mounting templates can be found at WWW.CERWINVEGAMOBILE.com.
3. Mark the locations for the mounting screws. Drill the holes with a 1/8" bit.
4. Feed the speaker wires through the cutout and connect to the speaker terminals. Be sure to observe proper polarity when connecting the wires. The speaker's positive terminal is indicated with a "in+".
5. Fit the trim ring over the speaker and mount into place using eight (8) screws.
6. Tighten the screws until the speaker is snug in place to prevent
7. LED mounting have two options can choose:

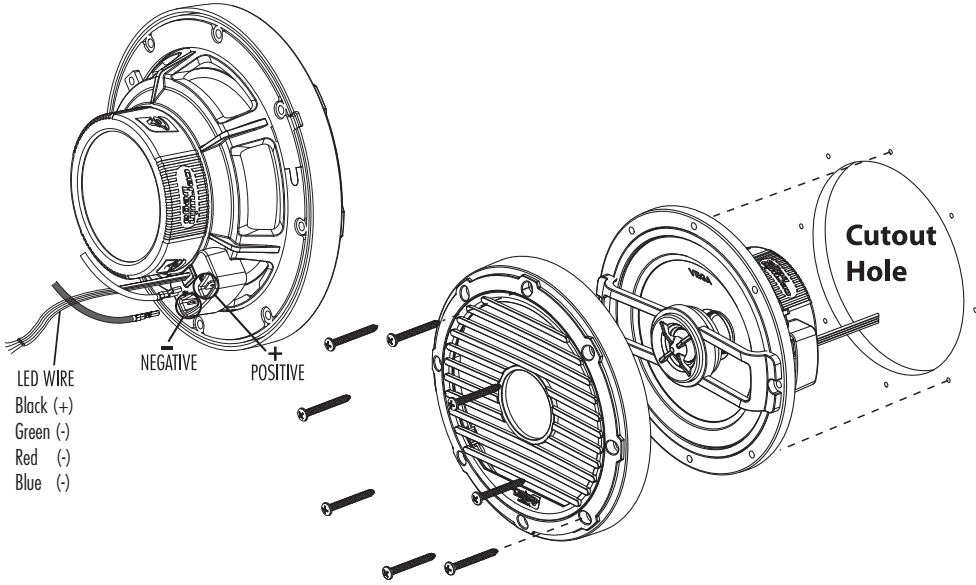
Option 1: Connet RGB wire to RGB controller, Remote Control Available.

Option 2: Connect DC 12V Battery , Pick one color from seven Color .

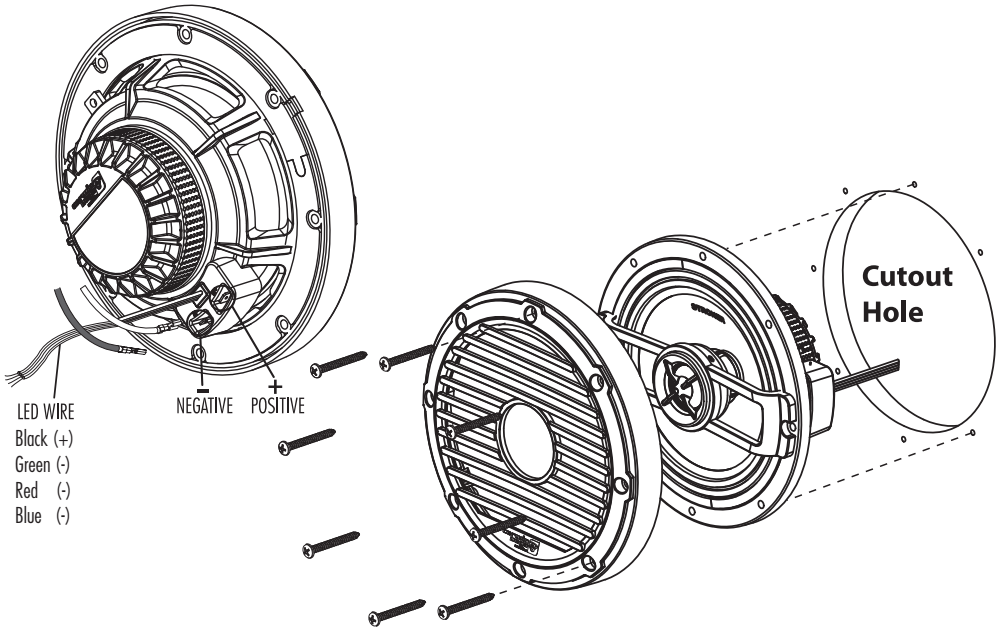
- | | |
|--|---|
| 1) Green Color: Green Wire (Negative)+Black Wire (Positive) | 5) Yellow Color: Red+Green Wire (Negative)+Black Wire (Positive) |
| 2) Red Color: Red Wire (Negative)+Black Wire (Positive) | 6) Cyan Color: Blue+Green Wire (Negative)+Black Wire (Positive) |
| 3) Blue Color: Blue Wire (Negative)+Black Wire (Positive) | 7) While Color: Blue+Green+Red Wire (Negative)+Black Wire (Positive) |
| 4) Purple Color: Red+Blue Wire (Negative)+Black Wire (Positive) | |

Installation

UM65/UM8



SM52/SM65/SM8

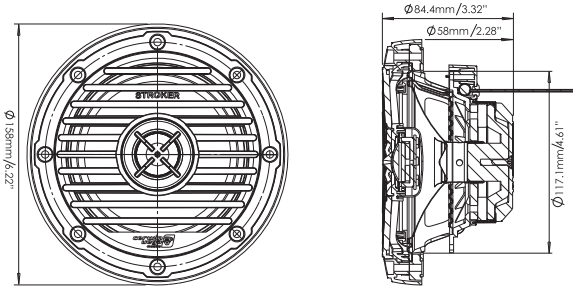


Features

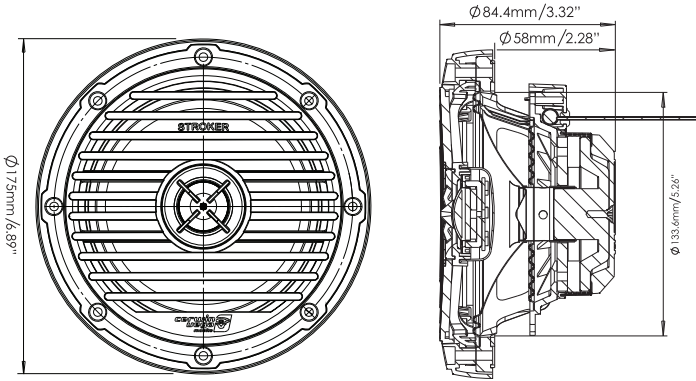
Model	VM65	VM8	SM52	SM65	SM8
Nominal Diameter - inch (mm)	6.5 (165)	8 (203)	5.25 (133)	6.5 (165)	8 (203)
Description	2-Way	2-Way	3-Way	3-Way	3-Way
Nominal Impedance (Ohms)	4Ω	4Ω	4Ω	4Ω	4Ω
Frequency Response (Hz)	40-20kHz	35-20kHz	45-23kHz	40-23kHz	35-23kHz
Voice Coil Diameter - inch (mm)	1.0 (25.4)	1.2 (30.55)	1.0 (25.4)	1.0 (25.4)	1.2 (30.55)
Power Handling - Watts (RMS/Peak)	60/250	75/300	50/250	75/400	100/500
Fs - Free Air Resonance (Hz)	65	55	90	80	60
Qts	0.802	0.682	0.616	0.607	0.849
Vas - cu. ft. (Liter)	0.3 (8.5)	0.724 (20.5)	0.106 (3.0)	0.159 (4.5)	0.689 (19.5)
Sensitivity (1W/1M)	93dB	94dB	93dB	94dB	95dB
Sensitivity (2.83V/1M)	96dB	97dB	96dB	97dB	98dB
Xmax - inch (mm)	0.16 (4)	0.2 (5)	0.16 (4)	0.16 (4)	0.2 (5)
Mounting Diameter	5.27 (134)	7.0 (178)	4.6 (117)	5.27 (134)	7.0 (178)
Mounting Depth	2.2 (56)	2.97 (75.5)	2.28 (58)	2.28 (58)	3.03 (77)
Grille/Trim Ring	YES	YES	YES	YES	YES

**CERWIN-VEGA
TYPICAL FRONT/REAR/SUB SYSTEM
(Using Cerwin-Vega Amplifiers, of course!)**

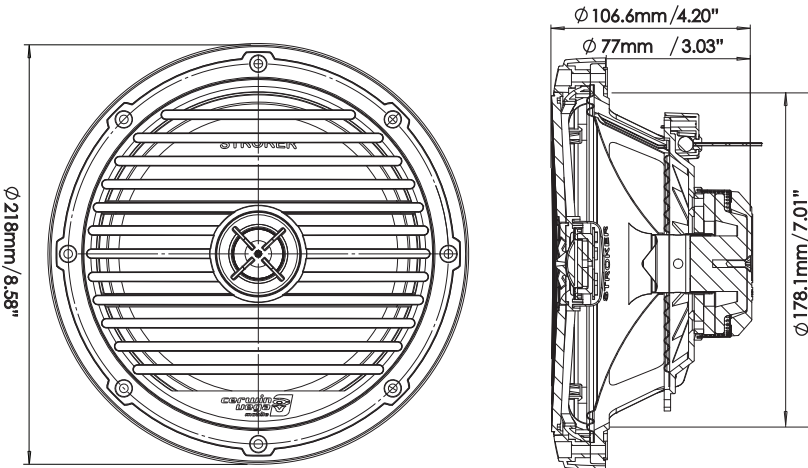
SM52



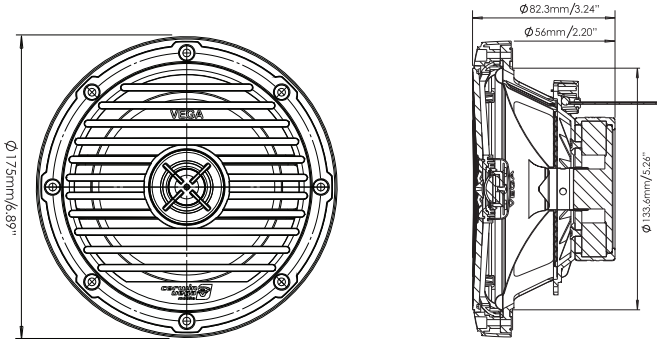
SM65



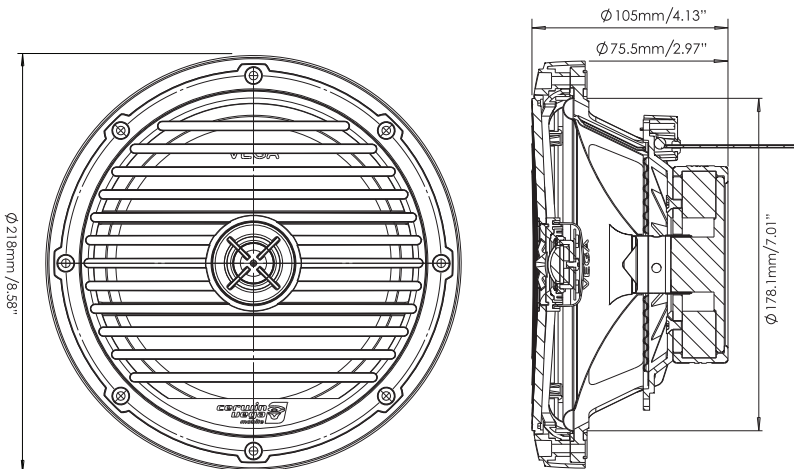
SM8



UM65



UM8



Specifications

MODEL	TYPE	POWER HANDLING
VM65	6.5" 2-Way coaxial speaker	250W/60W RMS POWER HANDLING
VM8	8" 2-Way coaxial speaker	300W/75W RMS POWER HANDLING
SM52	5.25" 3-Way coaxial speaker	250W/50W RMS POWER HANDLING
SM65	6.5" 3-Way coaxial speaker	400W/75W RMS POWER HANDLING
SM8	8" 3-Way coaxial speaker	500W/100W RMS POWER HANDLING

VM65&VM8 SPECIAL FEATURES

- RPM Vega Marine High Output Speaker System (Pair)
- High Temp Injection Molded Composite Basket With Proprietary Wire Management System
- Thermal Molded, UV-Coated, Patent Pending Waterproof Composite Paper Cone
- Radial Zip Ring (RZR) Cone For Expanded High Frequency Reproduction
- Shorting Ring Utilized In Motor Structure For Far-Field Performance
- Integrated RGB LED Lighting (Fixed or Audio Sensing)
- RPM-RGBLC Multi-Function RGB LED Lighting Remote Control Available

SM52&SM65&SM8 SPECIAL FEATURES

- 3-Way 25mm Titanium Dome Tweeter Speaker System(Pair)
- IP65 Marine Grade Compliant Specifications, 100% UV Stable
- Ultra Small Neodymium Motor Structure With Max Xmax Suspension Design Ideal For Motorcycle Fairings
- Integrated RGB LED Lighting/RPM-RGBLC Multi-Function RGB LED Lighting Remote Control Available
- Radial Zip Ring (RZR) Cone For Expanded High Frequency Reproduction
- High Temp Injection Molded Composite Basket With Proprietary Wire Management System
- Thermal Molded, UV-Coated, Patent Pending Waterproof Composite Paper Cone

Warranty

Thank you for purchasing a Cerwin Vega Mobile product and we hope to provide you with countless hours of listening enjoyment.

Please take a brief moment to register your new product. By registering your new product, you will receive benefits such as:

- Important product notifications that may pertain to your purchase.
- Confirmation and record of ownership in case of loss or theft.
- Knowledgeable customer service and technical assistance pertaining to your product.

Register your new product by completely filling out this Product and Warranty Registration card or register online at www.cerwinvegamobile.com.

Registration is voluntary and failure to register will not diminish your limited warranty rights.

Limited Warranty (U.S.A.)

Cerwin Vega Mobile warrants all of our amplifiers and speakers to be free of defects in materials and workmanship for a period of one (1) year.

This warranty is non-transferable and applies only to the original purchaser from an authorized Cerwin Vega Mobile dealer. If service is required and necessary under this warranty due to manufacturing defect or malfunction, then Cerwin Vega Mobile will repair and/or replace defective product with either new or remanufactured like product at no charge at our discretion.

Damage to product caused by the following will not be covered under this warranty: abuse, accident, misuse, neglect, modifications, repairing attempts, seller/installer misrepresentation.

This warranty does not cover any incidental, consequential, or cosmetic damage due to accidents or normal wear and tear, nor does it cover the cost of removing or reinstallation of the product.

Warranty is void if the product's serial number has been removed, defaced, and/or tampered with.

Warranty Procedure:

We recommend that you contact your Cerwin Vega Mobile authorized dealer where your original purchase was made to initiate all warranty claims. Our authorized dealers can guide you through the warranty procedure to ensure that your claim will be processed in a timely manner. All warranty returns must be accompanied with a proof of purchase (a copy of the original sales receipt) and be shipped freight prepaid to our facility with an RA (Return Authorization) number clearly marked on the outside of the package. Direct returns from consumers or non-authorized dealers will be refused if shipped without a valid RA number authorized by Cerwin Vega Mobile beforehand.

INTERNATIONAL

Products purchased outside of the U.S.A. are covered only by that country's distributor and not by Cerwin Vega Mobile U.S.A.

Please Ship All Warranty Claims With Pre-Authorized RA Number To:
CV&DA Holdings, Inc.
ATTN: Customer Service Department
1225 E. 7th St.
Los Angeles, CA 90021 USA

Please Contact Customer Service for Further Warranty Information:
U.S.A.
Tel: 213-261-4161 / Fax: 213-947-4767



25 E. 7th St. • Los Angeles, CA 90021 USA
P 213-261-4161 • F 213-947-4767

WWW.CERWINVEGAMOBILE.COM

©2014 Cerwin Vega Mobile. All rights reserved.
(a division of CV & DA Holdings, Inc.)