



CUPRO SERIES DRIVERS



CUP8/CUP65/CUP69

**USERS MANUAL
Owners Manual**

Cerwin Vega Mobile Pro Drivers

Thank you for purchasing a Cerwin Vega Mobile Pro Audio Drivers for your audio system. Whether it is a motorcycle, boat or carYou have chosen Cerwin Vega Mobile because you deserve the best!

Cerwin Vega Mobile Pro Audio Drivers are designed and engineered to the highest quality standards in the industry to create the ultimate listening experience in your vehicle. For optimal performance of this product, it is highly recommended that you have your new drivers installed by an authorized Cerwin Vega Mobile dealer. Our authorized dealers have the necessary experience and installation equipment to ensure that your drivers will deliver maximum performance and explain all the details pertaining to our warranty coverage as well.

If you decide to install the Pro Audio Drivers by yourself, please thoroughly read through this manual before getting started. This manual will help familiarize yourself with these drivers and guide you through the installation process and procedures.

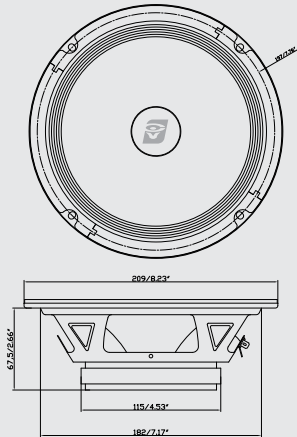
Please contact your local authorized Cerwin Vega Mobile dealer if you have any questions regarding the instructions in this manual or the Pro Audio Drivers operation capabilities. If you require additional assistance, please contact the Cerwin Vega Mobile Technical Support Department during business hours at 213-261-4161.(PST)

CVP65/CVP69/CVP8 Pro Audio Drivers - Pair

- High Power Handling
- High Temp Ferrite Magnet Structure
- High Density, High B/L motor structure for high power
- Heavy Duty Stamped Steel Basket
- 1.5" Single Layer High Temp Black Coated Voice Coil former for Woofer
- High Sensitivity > 90dB 1W/1M
- Slim Design

FEATURES/SPECIFICATIONS

The next generation of the CVPRO drivers features and specifications are on the next few pages. Make sure to read this manual and get to know your drivers and the many applications and set up scenarios available to you.

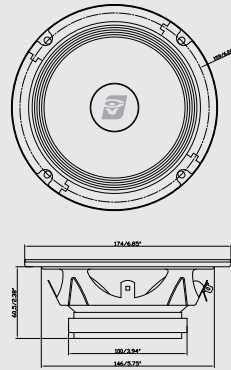


CUP8

- 8" PRO Full-Range Speaker
- 170W RMS / 350W MAX Power Handling
- 20oz Magnet
- 95dB
- Heavy duty Stamped basket
- 1.5" Single Layer high temp voice coil with black coated Voice coil former
- High Density, High B/L motor structure for high power handling

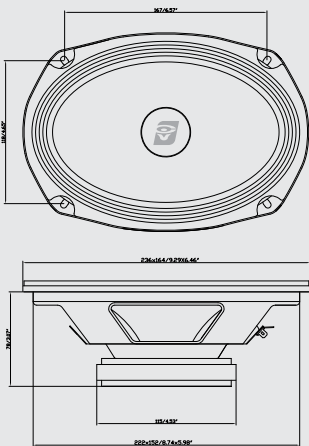
CUP65

- 6.5" PRO Full-Range Speaker
- 150W RMS / 300W MAX Power Handling
- 13oz Magnet
- 93dB
- Heavy duty Stamped basket
- 1.5" Single Layer high temp voice coil with black coated Voice coil former
- High Density, High B/L motor structure for high power handling



CUP69

- 6 X 9" PRO Full-Range Speaker
- 150W RMS / 300W MAX Power Handling
- 20oz Magnet
- 94dB
- Heavy duty Stamped basket
- 1.5" Single Layer high temp voice coil with black coated Voice coil former
- High Density, High B/L motor structure for high power handling



Installation

SYSTEM DESIGN - PASSIVE

Installing the Speakers

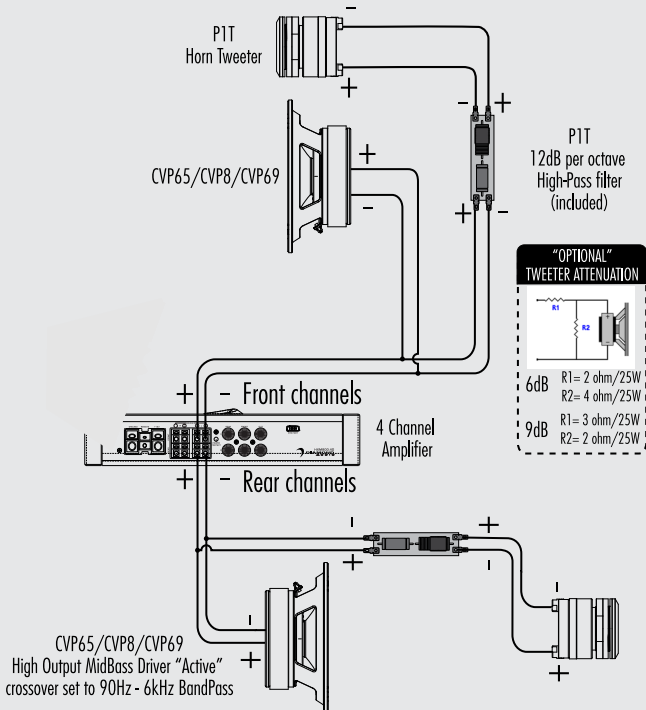
Your new CVPRO series drivers were designed with the flexibility to be installed in multiple locations. However, to ensure the best performance possible, it is important to isolate the front sound waves of the speaker from its rear sound waves. This is done by securely mounting the speaker to a flat surface known as a baffle. Make sure to seal the speaker to ensure there are no air leaks around its frame. No screws are supplied as these are typically in custom installs and you have a preference on what you will use. We recommend stainless hardware.

Selecting a Location

Since these are "Pro Drivers" we know the likelihood of mounting in stock locations is pretty non-existent. This means basic audio concepts should be thought of when installing. If installing multiple midbass or tweeter drivers it is ALWAYS best to mount in vertical rows. This gives the best vertical and horizontal dispersion characteristics of the drivers. Venting (or porting) is not necessary. Multiple midbass drivers should be used to every single horn driver (horn tweeters tend to be 10dB louder than the mids). We HIGHLY recommend that for the BEST sound you put a sound deadening mat on the door "skin", The more "damped" your vehicle is.... the better it will ultimately sound!!! Line the walls of the enclosures with deadliner and Poly-Fill. REMEMBER that these are MidBass drivers and you will need to add horn tweeters to make a full range system. We recommend our PRO Compression Horn Tweeters: P1T/P1SRT/P1SWT/P175T. In this manual there are system diagrams showing how to use them.

** SPECIAL NOTE**

Tweeter connected "out-of-phase" to be acoustically "in-Phase"



System Design

SYSTEM DESIGN - PASSIVE/ACTIVE

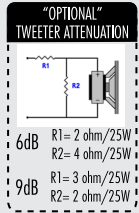
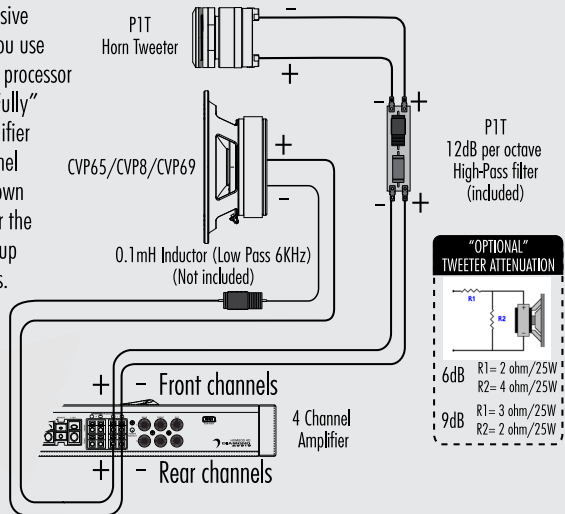
TYPICAL "BI-AMPED" SYSTEM USING PASSIVE CROSSOVERS

The CVPRO drivers do NOT come with a passive crossover. It is HIGHLY recommended that you use the high pass filter on your amplifier or DSP processor. This system, shown is "Bi-Amped, but not "Fully" active. Front channels of this 4 channel amplifier are driving the mid bass drivers. Rear channel are driving the tweeters. The mid bass is shown with a 0.1mH inductor in series to cross over the midbass at 6KHz with a dB roll-off. This setup makes it easier to adjust level of the midbass.

** SPECIAL NOTE**

Tweeter connected "out-of-phase" to be acoustically "in-Phase"

(ONLY RIGHT CHANNEL SHOWN)

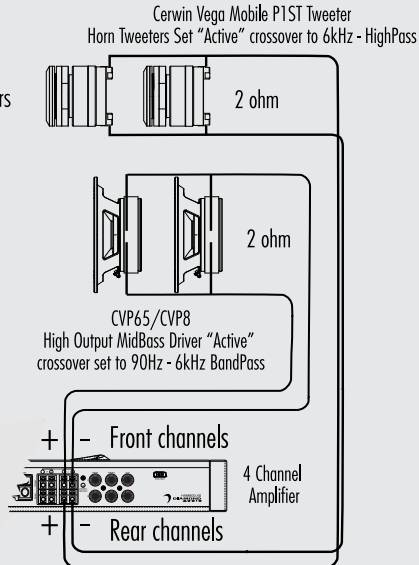


SYSTEM DESIGN - FULLY ACTIVE

TYPICAL "FULLY ACTIVE" SYSTEM

The CVPRO Drivers Midbass drivers and horn tweeters can be run in multiple pairs. It is HIGHLY recommended to use some kind of EQ/processor. IF you plan on doing ALL active setup seriously think about purchasing a DSP processor. Using a DSP processor makes it much easier to control and tune your system.

(ONLY RIGHT CHANNEL SHOWN)

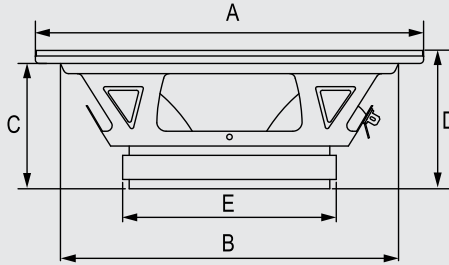


(ONLY RIGHT CHANNEL SHOWN)

Specifications

PHYSICAL DIMENSIONS

Dimension	Unit	CVP65	CVP8	CVP69
Total Diameter (A)	in. (mm)	6.85 (174)	8.23 (209)	9.29X6.46 (236X164)
Mounting Diameter (B)	in. (mm)	5.75 (146)	7.17 (182)	8.74X5.98 (222X152)
Mounting Depth (C)	in. (mm)	2.38 (60.5)	2.66 (67.5)	3.07 (78)
Total Depth (D)	in. (mm)	2.77 (70.5)	2.76 (70)	3.17 (80.5)
Magnet Diameter (E)	in. (mm)	3.94 (100)	4.53 (115)	4.53 (115)



THIELE/SMALL PARAMETERS

Parameter (unit)	CVP65	CVP8	CVP69
SPL (dB)	93	95	94
Re (Ω)	3.2	3.2	3.2
Qms	5.11	5.62	5.93
Qes	1.29	1.01	0.97
Qts	1.03	0.86	0.84
Fs (Hz)	132.9	95	106
Vas (L)	4.7	15.9	5.5
Cms (mm/N)	0.17	0.25	0.19
Mms (g)	8.3	11.3	11.8
Sd (cm ²)	138.9	213.8	143.1
BL (T*M)	4.1	4.6	6.1
Xmax (mm)	1.0	1.0	1.0
Pwr (W) NOM/MAX	150/**300	170/**350	150/**300

**Hi-pass filtered @ 100 Hz - 12 dB Oct

Warranty

WARRANTY

Thank you for purchasing a Cerwin Vega Mobile product and we hope to provide you with countless hours of listening enjoyment.

Please take a brief moment to register your new product. By registering your new product, you will receive benefits such as:

- Important product notifications that may pertain to your purchase.
- Confirmation and record of ownership in case of loss or theft.
- Knowledgeable customer service and technical assistance pertaining to your product.

Register your new product by completely filling out this Product and Warranty Registration card or register online at www.cerwinvegamobile.com.

Registration is voluntary and failure to register will not diminish your limited warranty rights.

Limited Warranty (U.S.A.)

Cerwin Vega Mobile warrants all of our amplifiers and speakers to be free of defects in materials and workmanship for a period of one (1) year.

This warranty is non-transferable and applies only to the original purchaser from an authorized Cerwin Vega Mobile dealer. If service is required and necessary under this warranty due to manufacturing defect or malfunction, then Cerwin Vega Mobile will repair and/or replace defective product with either new or remanufactured like product at no charge at our discretion.

Damage to product caused by the following will not be covered under this warranty: abuse, accident, misuse, neglect, modifications, repairing attempts, seller/installer misrepresentation.

This warranty does not cover any incidental, consequential, or cosmetic damage due to accidents or normal wear and tear, nor does it cover the cost of removing or reinstallation of the product.

Warranty is void if the product's serial number has been removed, defaced, and/or tampered with.

Warranty Procedure:

We recommend that you contact your Cerwin Vega Mobile authorized dealer where your original purchase was made to initiate all warranty claims. Our authorized dealers can guide you through the warranty procedure to ensure that your claim will be processed in a timely manner. All warranty returns must be accompanied with a proof of purchase (a copy of the original sales receipt) and be shipped freight prepaid to our facility with an RA (Return Authorization) number clearly marked on the outside of the package. Direct returns from consumers or non-authorized dealers will be refused if shipped without a valid RA number authorized by Cerwin Vega Mobile beforehand.

INTERNATIONAL

Products purchased outside of the U.S.A. are covered only by that country's distributor and not by Cerwin Vega Mobile U.S.A.

Please Ship All Warranty Claims With Pre-Authorized RA Number To:

CV&DA Holdings, Inc.

ATTN: Customer Service Department

3761 South Hill Street

Los Angeles, CA 90007 USA

Please Contact Customer Service for Further Warranty Information:

U.S.A.

Tel: 213-261-4161 / Fax: 213-246-2423



3761 SOUTH HILL STREET
LOS ANGELES, CA 90007 USA

P 213 - 261 - 4161 • F 213 - 246 - 2423

WWW.CERWINVEGAMOBILE.COM

©2020 Cerwin Vega Mobile All Right Reserved
(a division of CV & DA Holdings, Inc.)