

RPM

Tower Speakers



SH6SF4B/SH6SF4W

SH8F4B/SH8F4W

SH10F4B/SH10F4W

MANUAL

Cerwin Vega Mobile Speakers

Congratulations for purchasing Cerwin Vega Mobile speakers for your audio system. You have chosen Cerwin Vega Mobile because you deserve the best!

Cerwin Vega Mobile speakers are designed and engineered to reproduce great sound quality for many years of listening enjoyment in your vehicle!

We highly recommend that your new speakers be installed by an authorized Cerwin Vega Mobile dealer. Your authorized dealer can professionally assemble/disassemble the interior of your vehicle and set the proper speaker placement for ideal sound quality.

If you decide to install the speakers by yourself, please thoroughly read through this manual before getting started. This manual will help familiarize yourself with these speakers and guide you through the installation process and procedures.

Please contact your local authorized Cerwin Vega Mobile dealer if you have any questions regarding the instructions in this manual. If you require additional assistance, please contact the Cerwin Vega Mobile Technical Support Department during business hours at 213.261.4161

SH65F4B/SH65F4W/SH8F4B/SH8F4W/SH10F4B/SH10F4W: Supplied Hardware/Parts

1 - Pair Marine Grade Tower Speakers

1 - M6 Allen Hex Tool

1 - M3 Allen Hex Tool

12 ft - 6 Conductor(2)18AWG speaker/(4)22AWG RGB wire (for each speaker enclosure)

Features

MODEL	TYPE	POWER HANDLING
SH65F4B	6.5" 2-Way speaker system	150W RMS Power Handling
SH65F4W	6.5" 2-Way speaker system	150W RMS Power Handling
SH8F4B	8" 2-Way speaker system	175W RMS Power Handling
SH8F4W	8" 2-Way speaker system	175W RMS Power Handling
SH10F4B	10" 2-Way speaker system	200W RMS Power Handling
SH10F4W	10" 2-Way speaker system	200W RMS Power Handling

SH65F4B & SH65F4W SPECIAL FEATURES

- 2-Way 6.5" Pod Speaker System(Pair)
- 1" tweeter titanium dome
- US Manufactured 1.75" Black High Temperature Glue Coated Voice Coil
- 150W RMS/300W MAX Power Handling
- IP65 Marine Grade Compliant, 100% UV Stable
- Y35 Motor Structure With Max Xmax Suspension
- Molded injection ASA Grill and Enclosure With Matt Black painted,
- 316 Stainless Metal Mesh
- Integrated DIGITAL LED Lighting In Speakers and Enclosure
- 4"Passive design for bass boost
- Radial Zip Ring(RZR)Cone for Expanded High Frequency Requency reproduction
- Flat or Pipe mounting Bracket option

SH8F4B & SH8F4W SPECIAL FEATURES

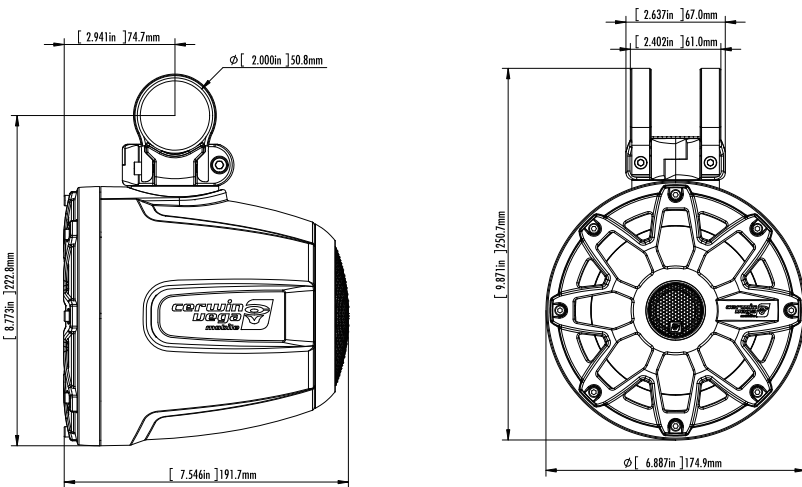
- 2-Way 8" Pod Speaker System(Pair)
- 1" tweeter titanium dome
- US Manufactured 1.75" Black High Temperature Glue Coated Voice Coil
- 175W RMS/350W MAX Power Handling
- IP65 Marine Grade Compliant, 100% UV Stable
- Y35 Motor Structure With Max Xmax Suspension
- Molded injection ASA Grill and Enclosure With UV Coating,
- 316 Stainless Metal Mesh
- Integrated DIGITAL LED Lighting In Speakers and Enclosure
- 5"Passive design for bass boost
- Radial Zip Ring(RZR)Cone for Expanded High Frequency Requency reproduction
- Flat or Pipe mounting Bracket option

SH10F4B & SH10F4W SPECIAL FEATURES

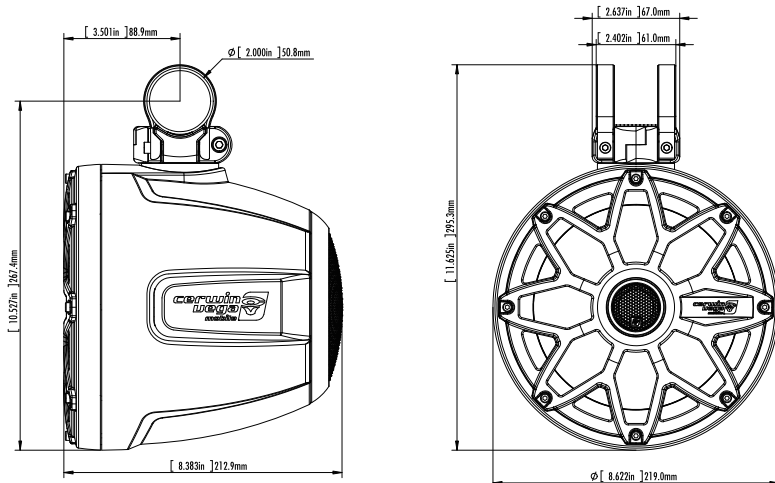
- 2-Way 10" Pod Speaker System(Pair)
- 1" tweeter titanium dome
- US Manufactured 2" Black High Temperature Glue Coated Voice Coil
- 200W RMS/400W MAX Power Handling
- IP65 Marine Grade Compliant, 100% UV Stable
- Y35 Motor Structure With Max Xmax Suspension
- Molded injection ASA Grill and Enclosure With UV Coating,
- 316 Stainless Metal Mesh
- Integrated DIGITAL LED Lighting In Speakers and Enclosure
- 6"Passive design for bass boost
- Radial Zip Ring(RZR)Cone for Expanded High Frequency Requency reproduction
- Flat or Pipe mounting Bracket option

Dimensions

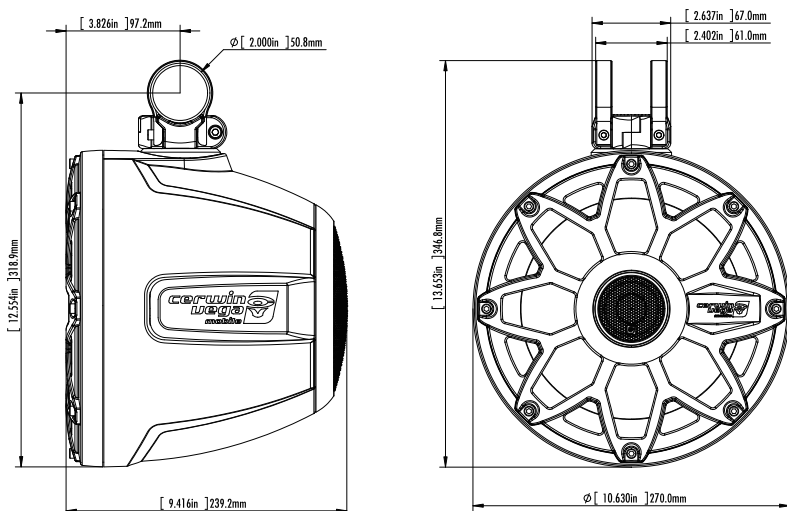
SH65F4B/SH65F4W



SH8F4B/SH8F4W



SH10F4B/SH10F4W



Installation Considerations:

1. Be sure to carefully read and understand the instructions before attempting to install these speakers.
2. For safety, disconnect the negative battery terminal from the battery prior to beginning the installation.
3. For easier assembly, we suggest you have all your tools handy- Drill, Allen set, Crimps, Soldering iron, wire strippers, heat-shrink, etc
4. Use high quality "Water Proof" connectors for a reliable installation and to minimize signal or power loss.
5. Think before you drill! Be careful not to cut or drill into gas tanks, fuel lines, brake or hydraulic lines, vacuum lines or electrical wiring when working on any vehicle. If installation in a boat, take care not to cut or drill through the main hull.
6. Never run wires near fuel lines or power (if possible) . Running the wires inside the hull area provides the best protection.
7. Avoid running wires over or through sharp edges. Use rubber or plastic Grommets to protect any wires routed through metal, especially the tower.
8. Make sure that the mounting clamps are tight before leaving the dock
9. Decide early what type of LED lighting you want (if any) and wire accordingly (NOTE: if you want "Dancing lights" look to the RPMLED - RF remote controlled LED light box. The easy way to have lighting...YOUR way!)

MOUNTING

Step 1: Remove tower speakers from the packaging and ALL hardware

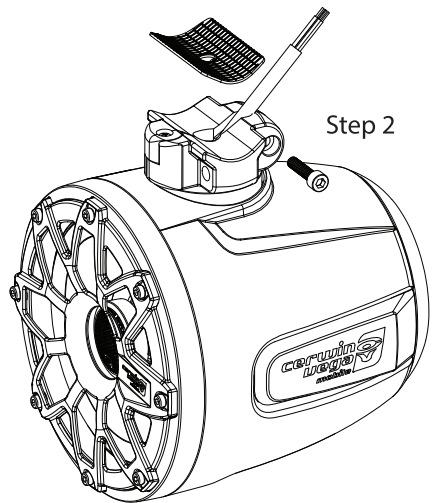
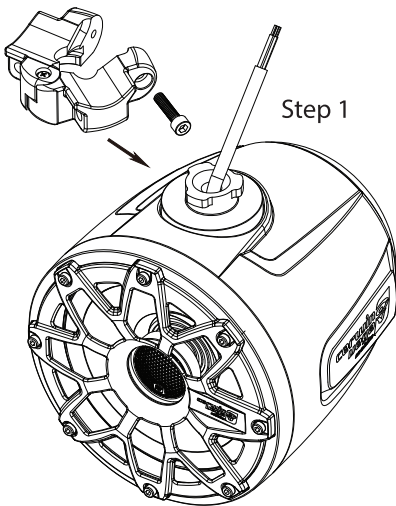
Step 2: Find a GOOD location that allows for easy wiring of the speakers (and LED lights) - PLUS does NOT impair you movement around the location.

Step 3: Using the supplied M6 Allen wrench remove the 2 - M6/50mm bolts that hold the clamp tops onto the clamp bottoms of the tower speakers.

Step 4: These speakers are not too heavy but we recommend that you have a friend help you by holding the speaker/enclosure up while you insert and screw down the large M6 bolts.

Or alternatively use a large tie-wrap to "hang" the tower speaker while you insert and screw down the large 5mm bolts.

Step 5: Tighten the M6 clamp bolts down, but DO NOT over tighten as this will -strip the clamps making them useless.



Mounting

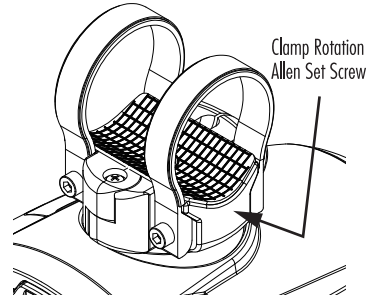
Step 6: If need be,.. rotate the speakers for best dispersion. This is easily done by locating the 3mm Allen set screw on the side of the mounting clamp. Once located release it using the included M3 Allen wrench so that you may rotate the speaker/enclosure to the desired angle. Once there..lock the Allen down.

NOTE:

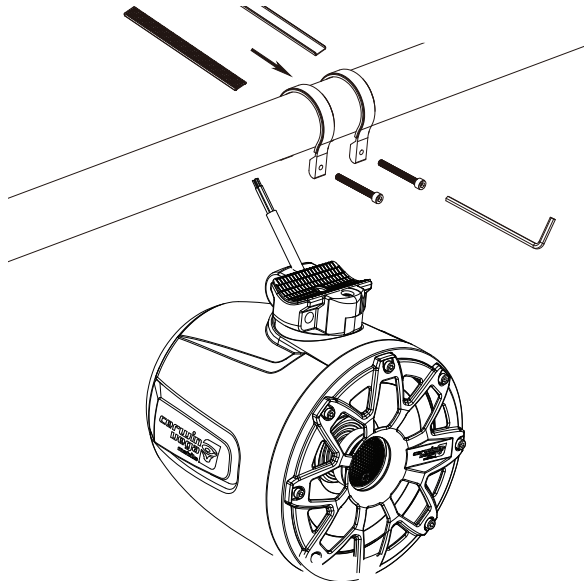
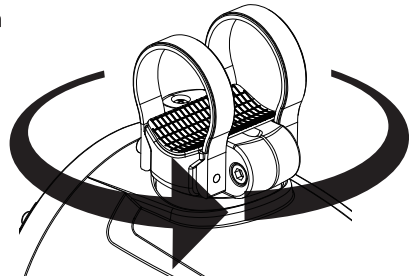
Blue Loctite is recommended for ALL Allen head bolts/hardware .

Step 7 : During the mounting process you should have located the spot to drill your tower bar for the 6 conductor wire (Speaker and RGB lighting wiring) insertion. Or .. NOT (See Tie-wrap solution below)

Step 8: Drill a 3/8" hole in the pipe and de-burr the hole so there is no sharp edges. It is also recommended to install a rubber grommet in this hole to protect the wire.

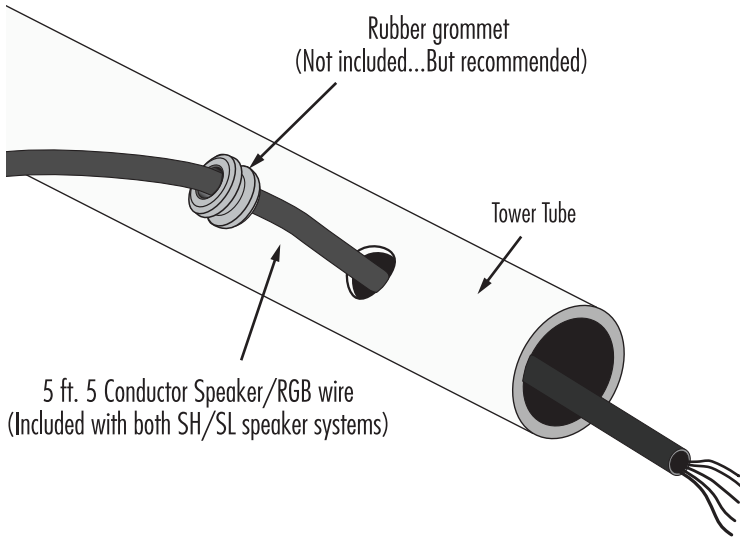


360 Degree Clamp Rotation

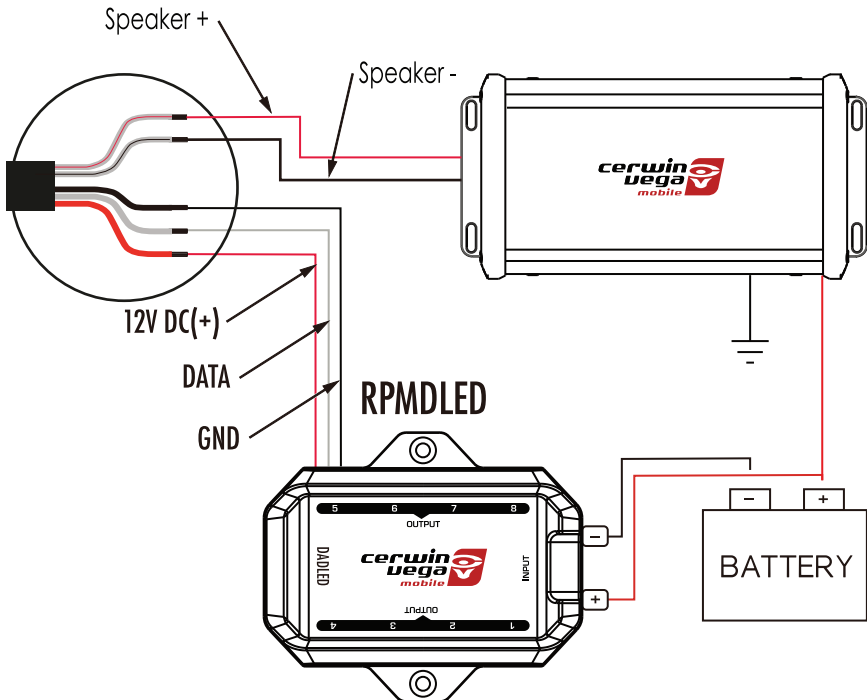


Step 9: Slide the wire jacket down thru the hole with grommet and wire. Snake the wire down to the bottom of the tower tube in a location that the wires can be attached to the audio (and lighting) system. Solder or butt connect the speaker wire coming from the tower to the speaker wire to the system. Then heat-shrink it for added protection from water/moisture.

TOWER TUBE WIRING DETAIL



LED/SPEAKER WIRING CONFIGURATION



Specifications

Model	SH65F4B	SH65F4W	SH8F4B	SH8F4W	SH10F4B	SH10F4W
Nominal Diameter - inch (mm)	6.5 (165)	6.5 (165)	8 (203)	8 (203)	10 (254)	10 (254)
Description	2-Way	2-Way	2-Way	2-Way	2-Way	2-Way
Nominal Impedance (Ohms)	4Ω	4Ω	4Ω	4Ω	4Ω	4Ω
Frequency Response(Hz)	70-18 kHz	70-18 kHz	55-18 kHz	55-18 kHz	50-18 kHz	50-18 kHz
Voice Coil Diameter - Inch (mm)	1.75 (44.7)	1.75 (44.7)	1.75 (44.7)	1.75 (44.7)	2 (50.8)	2 (50.8)
Power Handling - Watts (RMS/Peak)	150/300	150/300	175/350	175/350	200/400	200/400
Fs - Free Air Resonance (Hz)	80	80	60	60	55	55
Qts	0.828	0.828	0.948	0.948	0.529	0.529
Vas - cu. ft. (Liter)	4.866	4.866	13.791	13.791	41.319	41.319
Sensitivity (1W/1M)	92	92	93	93	95	95
Sensitivity (2.83V/1M)	95	95	96	96	98	98
Mounting Height - inch (mm)	9.9 (250.7)	9.9 (250.7)	11.6 (44.7)	11.6 (44.7)	13.7 (346.8)	13.7 (346.8)
Mounting Diameter - inch (mm)	6.9 (174.9)	6.9 (174.9)	8.6 (219)	8.6 (219)	16.6 (270)	16.6 (270)
Mounting Length - inch (mm)	7.5 (189.7)	7.5 (189.7)	8.3 (210.7)	8.3 (210.7)	9.4 (239.2)	9.4 (239.2)
Clamps/Wire	YES	YES	YES	YES	YES	YES

We reserve the right to change products and specifications at any time without notice.
Images may or may not include optional equipment.

Warranty

Thank you for purchasing a Cerwin Vega Mobile product and we hope to provide you with countless hours of listening enjoyment.

Please take a brief moment to register your new product. By registering your new product, you will receive benefits such as:

- Important product notifications that may pertain to your purchase.
- Confirmation and record of ownership in case of loss or theft.
- Knowledgeable customer service and technical assistance pertaining to your product.

Register your new product by completely filling out this Product and Warranty Registration card or register online at www.cerwinvegamobile.com.

Registration is voluntary and failure to register will not diminish your limited warranty rights.

Limited Warranty (U.S.A.)

Cerwin Vega Mobile warrants all of our amplifiers and speakers to be free of defects in materials and workmanship for a period of one (1) year.

This warranty is non-transferable and applies only to the original purchaser from an authorized Cerwin Vega Mobile dealer. If service is required and necessary under this warranty due to manufacturing defect or malfunction, then Cerwin Vega Mobile will repair and/or replace defective product with either new or remanufactured like product at no charge at our discretion.

Damage to product caused by the following will not be covered under this warranty: abuse, accident, misuse, neglect, modifications, repairing attempts, seller/installer misrepresentation.

This warranty does not cover any incidental, consequential, or cosmetic damage due to accidents or normal wear and tear, nor does it cover the cost of removing or reinstallation of the product.

Warranty is void if the product's serial number has been removed, defaced, and/or tampered with.

Warranty Procedure:

We recommend that you contact your Cerwin Vega Mobile authorized dealer where your original purchase was made to initiate all warranty claims. Our authorized dealers can guide you through the warranty procedure to ensure that your claim will be processed in a timely manner. All warranty returns must be accompanied with a proof of purchase (a copy of the original sales receipt) and be shipped freight prepaid to our facility with an RA (Return Authorization) number clearly marked on the outside of the package. Direct returns from consumers or non-authorized dealers will be refused if shipped without a valid RA number authorized by Cerwin Vega Mobile beforehand.

INTERNATIONAL

Products purchased outside of the U.S.A. are covered only by that country's distributor and not by Cerwin Vega Mobile U.S.A.

Please Ship All Warranty Claims With Pre-Authorized RA Number To:

CV&DA Holdings, Inc.

ATTN: Customer Service Department

1225 E. 7th St.

Los Angeles, CA 90021 USA

Please Contact Customer Service for Further Warranty Information:

U.S.A.

Tel: 213-261-4161 / Fax: 213-947-4767



**3761 South Hill Street
Los Angeles 90007, USA
P 213-261-4161 / F 213-947-4767**

**© 2021 Cerwin Vega Mobile All rights reserved.
(a division of CV & DA Holdings, Inc.)**