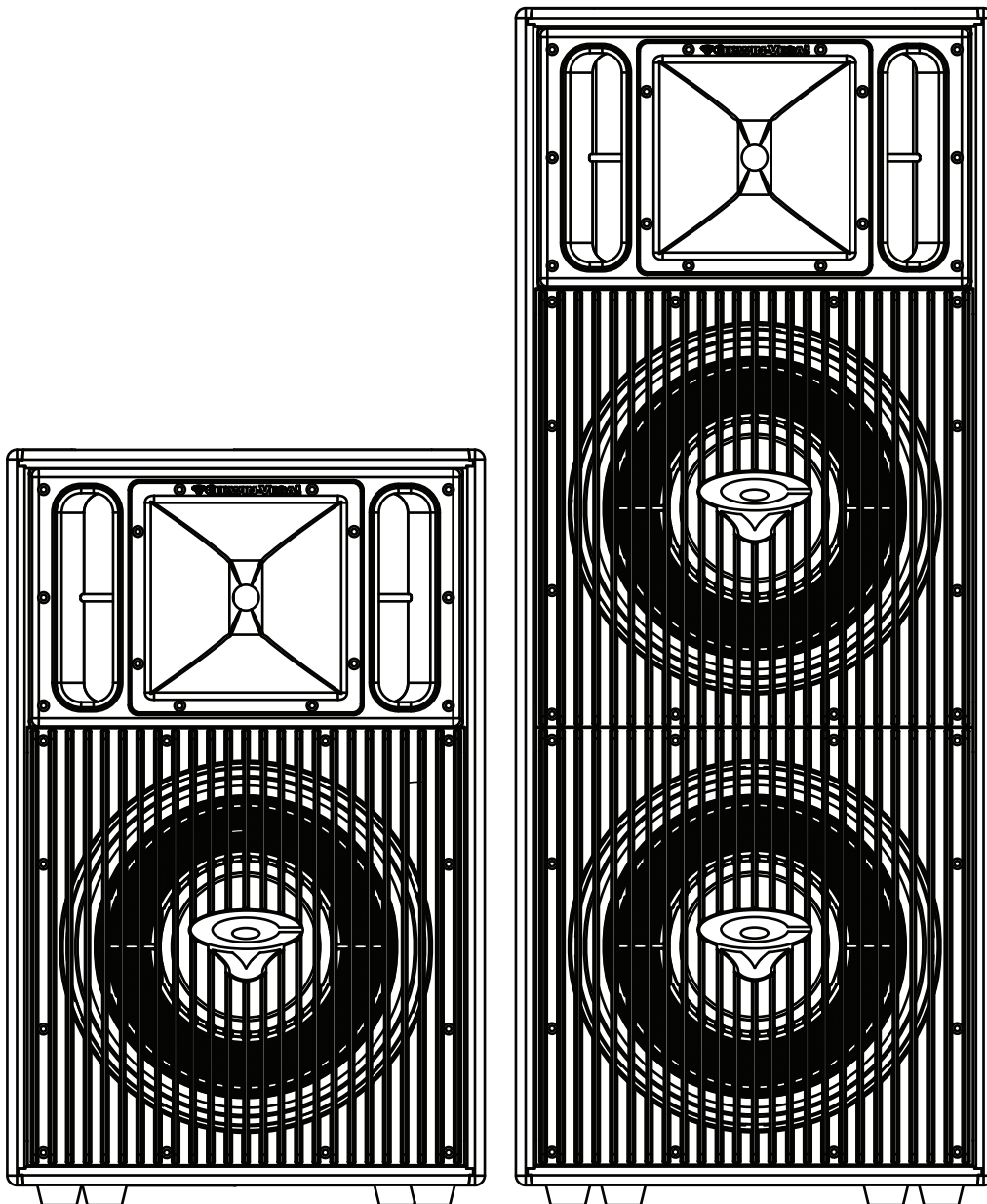




CVP-2153 & CVP-1152 Loudspeaker Systems

OPERATION



Cerwin-Vega! CVP-2153 & CVP-1152 Loudspeaker Systems

Contents

1. Welcome to the Cerwin-Vega! Family	3
2. Overview - The Cerwin-Vega! CVP-2153 and CVP-1152 Features	3
3. Before You Begin: Safety and Care for your CVP Loudspeakers	4
4. Set Up and Use of the CVP-2153 and the CVP-1152	6
5. Connecting and Daisy Chaining Speakers	9
6. High Frequency Fast Reaction Protection Circuit	10
7. Rotatable Horn	10
8. Using the CVP-1152 as a Floor Monitor	10
9. Warning About Suspending Loudspeakers	10
10. Suspension of the CVP Series	11
11. Specifications	11

- **SPANISH** version (page 14)

- **FRENCH** version (page 27)

Cerwin-Vega! CVP-2153 & CVP-1152 Loudspeaker Systems

1. WELCOME TO THE CERWIN-VEGA! FAMILY

Congratulations! Welcome to the Cerwin-Vega! family. You've joined a growing group of audio professionals who've turned to Cerwin-Vega! for the most advanced audio reproduction systems available. All Cerwin-Vega! systems are thoroughly tested to insure that they meet or exceed our performance specifications. Backed by the best service in the industry, Cerwin-Vega! is dedicated to quality and reliability. For a complete overview of Cerwin-Vega! products and services, log onto www.cerwin-vega.com.

2. OVERVIEW – THE CERWIN-VEGA! CVP-2153 AND CVP-1152 FEATURES

Introducing the CVP Series high performance passive speaker systems from Cerwin-Vega! Professional. The CVP-1152 (single 15" two-way system) and the CVP-2153 (double 15" three-way system) deliver extreme high performance, legendary Cerwin-Vega! low frequency reproduction, and excellent sonic quality. Designed to provide accurate sound reproduction at very high SPL levels, the CVP top box series is performance matched to stand tough with all of our subwoofer systems, including our folded horns and passive and active direct fire subs.

- **New High Performance 15" Driver** – We started with a new high performance Cerwin-Vega! 15" Low/Mid driver in a die cast frame using a 3" voice coil designed to deliver punchy low end and clean, accurate midrange for high decibel, low distortion performance.
- **Mylar Compression Driver for Smooth High End** – We integrated a deep drawn high performance Mylar compression driver that provides low distortion with a smooth high frequency response and a fast attack transient response. This all means silky high end that has serious throw capabilities.
- **Rugged and Attractive Die Cast Grill for a Clean Cerwin-Vega! System Look** – We didn't stop with the performance matching either. These full range cabinets also look the part with matched rugged, die-cast aluminum grills. There will be no doubt that the audience is being entertained by a full Cerwin-Vega! matched system from looks to performance!
- **Rotatable Horn for Concise Pattern Control** – The 60 x 40 degree rotatable horn provides flexible pattern control for install application (or monitor functionality for the CVP-1152).
- **Monitor Use for CVP-1152** – The additional 60 degree angle of the CVP-1152 cabinet provides the ability to lay it on its side for use as a stage monitor. Rotate the horn for better coverage – you can even rotate the grill so the Cerwin-Vega! logo is oriented correctly! How cool is that!
- **Fly Points** – We are serious about flexibility and the CVP Full Range Loudspeaker Series delivers. Twelve Integrated M10 fly points for permanent installations or sound reinforcement applications requiring overhead suspension are provided.
- **Bi Amp Functionality** – Use the precise internal cabinet crossover or drive the HF and LF signals separately with an active crossover and dedicated amplifiers for amazing control and discrete rock solid high decibel performance.
- **High Frequency Driver Protection** – A new Cerwin-Vega! designed High Frequency fast reacting relay circuit suppression limiter provides high-quality protection for the high frequency system.

3. BEFORE YOU BEGIN: SAFETY AND CARE FOR YOUR CVP LOUDSPEAKERS

Positioning

High and upper mid frequencies are a crucial part of the audio spectrum, and have much to do with how we perceive clarity and intelligibility. Whereas these frequencies are the most easily located, they are also the first to be acoustically blocked. Taking the coverage angles of the models used into consideration, be sure to set up your speakers so that the MF and HF drivers are free from obstructions and the higher frequencies can reach the entire audience (e.g. slightly above the heads of the audience). This will ensure optimal dispersion of higher-frequency content and thus improved speech intelligibility and clarity.

Avoiding Feedback

Always place the "front-of-house" speakers (the enclosures facing the audience) in front of the microphones, (e.g. towards the front edge of the stage). Use professional floor wedges (e.g. CVP-1152) or other dependable monitoring systems to ensure that the performers on stage can hear themselves. Whenever possible, position monitor speakers so that they point only to the back side of microphones.

Avoiding Feedback When Using Turntables (e.g. DJ Applications)

Turntables often produce low-end feedback: low frequencies are fed back to the pickup arm and cartridge and reproduced again by the speakers. Common causes of low-end feedback are speakers positioned too close to the turntable or on wooden floors or stage elements prone to vibration. To avoid this, position the speakers as far from the turntable as possible. Placing them on a solid, non-resonating support will also help. If you are using the CVP-1152 model speakers, try mounting them on stands. This will minimize direct contact between floor and speakers and reduce vibration.

Protecting Your Speakers

Next to following common-sense rules like exercising caution while setting levels to avoid overdriving your power amps, and understanding and respecting the physical limits of your system, there are a couple reliable methods of protecting your speakers – and your entire system – using additional equipment. Using a high pass filter to avoid excessive low frequencies, low-frequency rumble or extreme low frequencies can lead to an excessive displacement of the speaker diaphragm and in turn to permanent damage. Using an equalizer or a low-cut/high pass filter to eliminate the low frequencies below the response curve of the speaker can effectively prevent this. Most consoles and outboard equalizers, as well as many other outboard signal processors and of course speaker management systems provide a high pass filter. The use of a high pass filter in the signal path is especially recommended when using turntables and/or CD players as signal sources. CD players often produce extremely low frequencies, which can lead to excessive diaphragm displacement. Using a limiter to limit the output level, Insert the limiter between the mixing console output and your power amp. Many types of outboard signal processors and most speaker management systems include limiters for this application. Used properly, they can eliminate overdriving of your audio signals and effectively suppress dangerous signal peaks, which can not only degrade the sound quality, but also cause permanent damage to your speakers and other system components.

Power Amplifier Selection

Choosing the right power amplifier has a major effect on the performance of your speakers. The amplifier should always provide at least as much power as the speaker system is capable of handling. In order to ensure precise reproduction of brief, high-power transients, the amp should provide about twice as much power as the speakers can handle. The minimum recommended input power ratings for CVP-1152 and CVP-2153 systems are displayed in the Specifications Table.

Cerwin-Vega! CVP-2153 & CVP-1152 Loudspeaker Systems

Cable Selection

The quality and characteristics of the speaker cables used also greatly effect speaker performance. Always use high-quality cables made with professional-grade wire and connectors that are correctly and carefully fitted. Selection of the appropriate wire gauge is especially important to system operation. A cable that is too light or low-gauge will result in amplifier power being wasted due to the series resistance of the cable and in loss of low-frequency performance due to degraded damping factor. The ideal gauge is determined by two factors: the length of the cable and the load or impedance. For cable runs up to 50 feet (15m) with an 8-Ohm load, we recommend using at least 14-gauge wire – 12-gauge is minimum for a 4-Ohm load. For runs between 50 and 100 feet (15-30m), use at least 12-gauge for 8-Ohm loads and 10-gauge for 4 Ohms. At 200 feet (60m), you should use 10-gauge and 8-gauge, respectively, and so on.

Using Poles, Tripod Mounts, and Speaker Movement Due to Vibrations

The Cerwin-Vega! CVP speakers covered by this manual are designed for portable applications in which the speakers will be stacked directly on the floor, stage, a solid stable platform, mounted on a tripod stand or pole-mount. (Pole and tripod mounting only applies to the CVP-1152). The CVP Series also may be suspended using industry standard, forged M10 eye bolts. Please refer to the suspension warnings and instructions further in this document.

THESE SPEAKERS ARE HEAVY!

Please use common sense and adhere to the manufacturer's hardware ratings when placing speakers on stands or poles. Never exceed the rated safety limit of a pole or speaker stand. Never place a speaker on a pole or tripod that is leaning at an angle as the speaker may tip over.

Cerwin-Vega! Professional speakers can generate considerable energy. When placed on a slippery surface such as polished wood or linoleum, the speaker may move due to vibration caused by its acoustical energy output. Precautions should be taken to assure that the speaker does not fall off a stage or platform on which it is placed.

The Cerwin-Vega! CVP-1152 speaker model includes a receptacle cup to allow mounting on tripod stands or poles. When using stands or poles, be sure to observe the following precautions:

- Check the stand specification to be certain it is designed to support the weight of the speaker.
- Observe all safety precautions specified by the stand manufacturer.
- Always verify that the stand is placed on a flat, level, and stable surface and be sure to fully extend the legs of tripod type stands. Position the stand so that the legs do not present a trip hazard.
- Route cables so that performers, production crew, and audience will not trip over them pulling the speaker over.
- Do not attempt to place more than one speaker on a stand designed for a single speaker.
- Always be cautious in windy, outdoor conditions. It may be necessary to place additional weight (i.e. sandbags) on the base of the stand to improve stability.
- Unless you are confident that you can handle the weight of the speaker, ask another person to help you lift it onto the tripod stand or pole.

Moisture

Moisture can damage the speaker cone and surround and cause corrosion of electrical contacts. Avoid exposing the speakers to direct moisture. Keep speakers out of extended or intense direct sunlight. The driver suspension will prematurely dry out and finished surfaces may be degraded by long-term exposure to intense ultra-violet (UV) light.

Cerwin-Vega! CVP-2153 & CVP-1152 Loudspeaker Systems

Powering Up

To avoid damage to your speaker and other parts of your system, when you turn On your system, *always* turn On the power amp last! This will avoid loud, damaging pops that will annoy your audience, and blow your speakers. When you power down, the amplifier should *always* be turned Off first to avoid the same problems.

Polarity

When using two or more speaker systems, be sure to match the polarity (+/-) of the speaker system connectors to those of the amplifier. If polarities do not match, the sounds produced by the speaker will interfere with each other, making it impossible to achieve a well-balanced sound field.

Hearing damage and prolonged exposure to excessive SPL

CVP Series loudspeakers are easily capable of generating sound pressure levels (SPL) sufficient to cause permanent hearing damage to performers, production crew, and audience members. Proper precautions should be taken to avoid prolonged exposure to SPL in excess of 85 dB.

4. SET UP AND USE OF THE CVP-2153 AND THE CVP-1152

Input Configurations / Full Range and Bi Amp Modes

The CVP Series models are equipped with both a 4-pin Speakon connector and two 1/4" phone jack inputs. The speakers provide FULL RANGE mode where one amplifier signal powers the entire speaker or BI AMP mode (Speakon only) where one amplifier signal powers the high frequency compression driver and a second amplifier powers the low frequency driver(s).

The 4-pin Speakon connectors are configured as follows:

- FULL RANGE mode: 1+ positive / 1- negative. (2+ and 2- are not used)
- BI AMP mode: 1+ LF positive / 1- negative, 2+ HF positive / 2- HF negative.

The quarter inch phone jacks are configured as follows:

- FULL RANGE mode only: Tip positive / Sleeve negative.

To change the system to Bi Amp mode follow these directions:

1. Remove the grill (twelve screws) and woofer (eight screws) NOTE: Woofer connection polarity.
2. Move the wire harness from "FULL RANGE" to "BI AMP" on the input circuit board and the crossover circuit board. Please check (Figure 1, Full Range Mode), displayed on the next page.

Cerwin-Vega! CVP-2153 & CVP-1152 Loudspeaker Systems

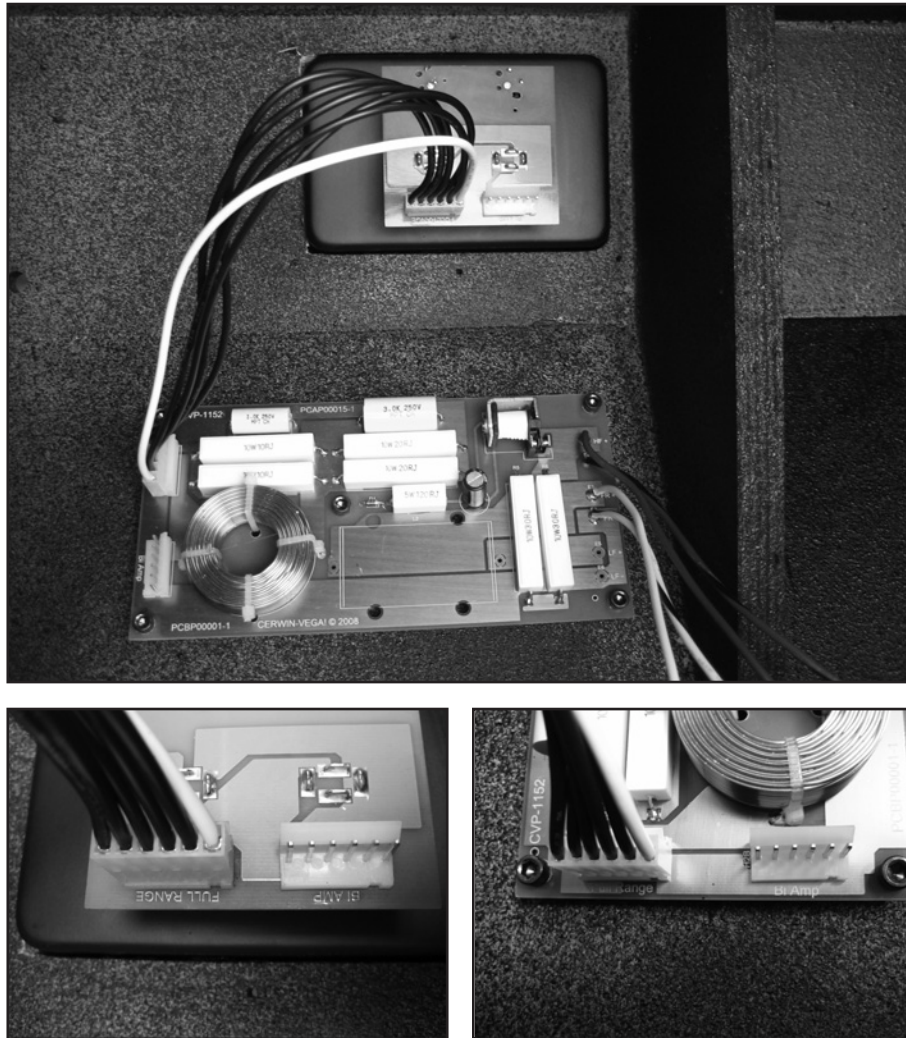


Figure 1, Full Range Mode

3. Ensure the connector is seated properly.
4. Reconnect the woofer and tighten all eight screws.
5. Reinstall the grill with all twelve screws.

To change the system back to Full Range mode see steps 1-5 above, but move the wire harness from “BI AMP” to “FULL RANGE” on the input circuit board and the crossover circuit board. Please check (Figure 2, Bi Amp Mode), displayed on the next page.

Cerwin-Vega! CVP-2153 & CVP-1152 Loudspeaker Systems

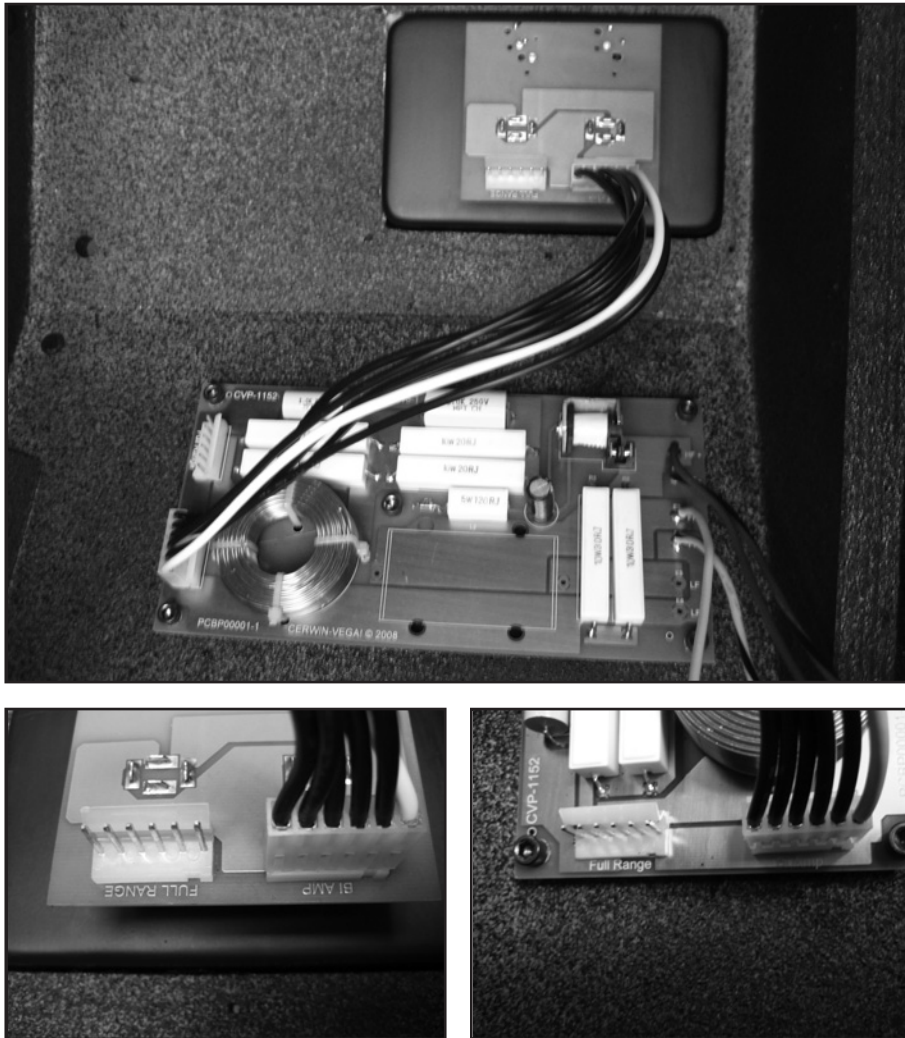


Figure 2, Bi Amp Mode

Cerwin-Vega! CVP-2153 & CVP-1152 Loudspeaker Systems

5. CONNECTING AND DAISY CHAINING SPEAKERS

The inputs of the connectors are paralleled to the “through” connectors in both Full Range and Bi Amp modes so that either connector will work. The other connector can then be used to send the signal to another speaker. Refer to the following diagrams for the proper impedance values (stated in Ohms) when daisy chaining speakers. (Figure 3)

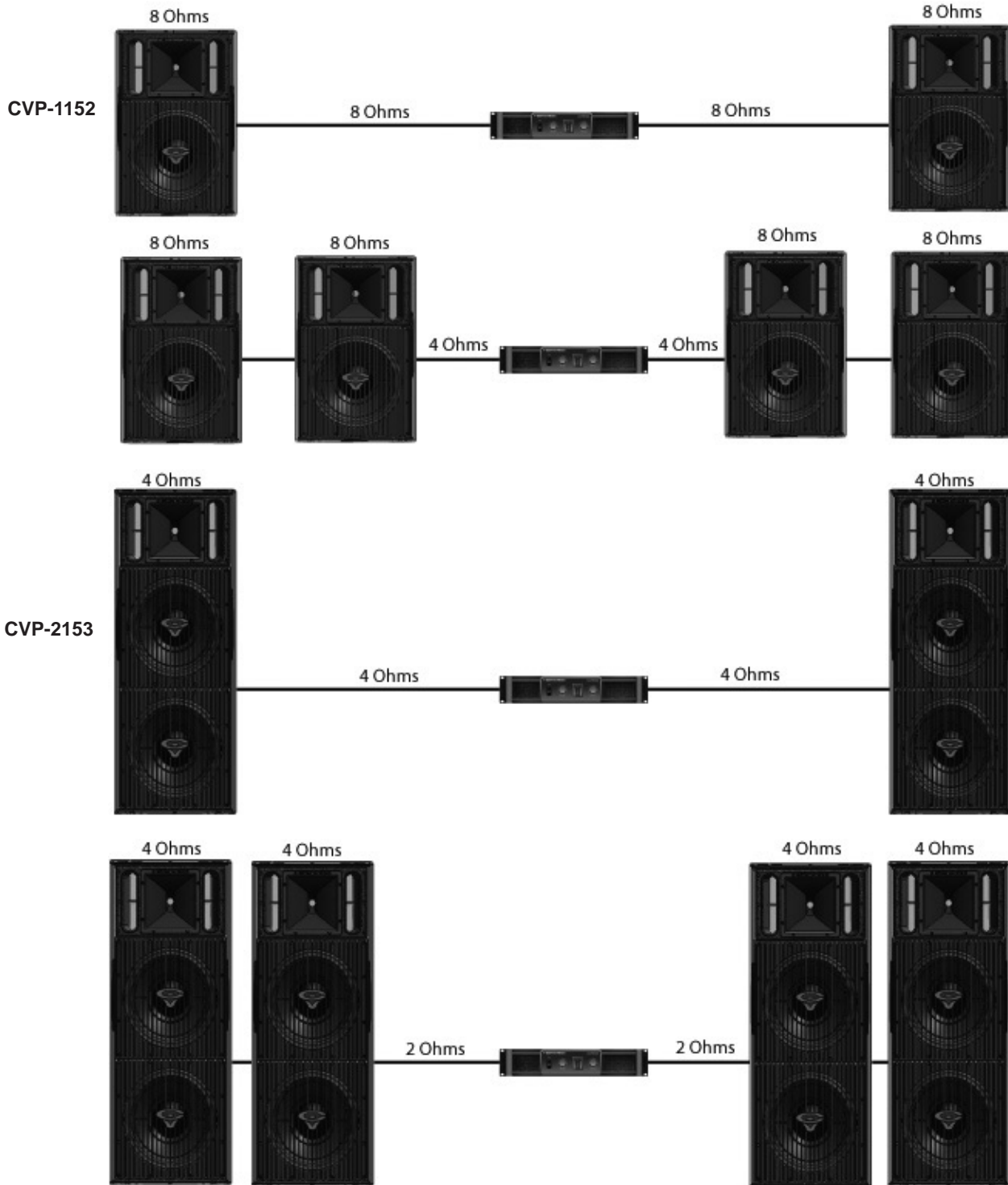


Figure 3

6. HIGH FREQUENCY FAST REACTION PROTECTION CIRCUIT

Your CVP speakers offer a fast reacting suppression limiter that senses input voltage and reduces potentially damaging voltage levels that would otherwise reach your high frequency drivers.

7. ROTATABLE HORN

The high frequency horn in the CVP series is installed in a 60 degree horizontal and a 40 degree vertical orientation. The horn can be rotated to provide 40 degrees vertically and 60 degrees horizontally for an alternative high frequency dispersion pattern which is useful in certain install situations or when using the CVP-1152 as a floor monitor.

Remove the screws, then rotate the horn 45 degrees, and replace the screws being careful not to apply too much torque pressure.

8. USING THE CVP-1152 AS A FLOOR MONITOR

The CVP-1152 can be used as a floor monitor. Typically, you will want more high frequency coverage from left to right across your stage or performance area. Follow the instructions earlier in this document to rotate the horn. Note that you can even rotate the grill to orient the Cerwin-Vega! logo in the correct position! How cool is that?

To rotate the grill, first remove the grill screws. Pull the grill out and turn it 90 degrees. Replace the screws being careful with the torque pressure applied.

9. WARNING ABOUT SUSPENDING LOUDSPEAKERS

The CVP Series uses forged M10 eye bolts.

Only use eye bolts that are professionally certified for the proper 10x load requirements.

Suspending loudspeakers is serious business! Injury or death can occur if loudspeaker systems are not suspended correctly! Read and follow these instructions carefully!

Speaker suspension must take place in accordance with instructions provided by Cerwin-Vega! and under the supervision of a licensed, professional sound/rigging engineer or structural engineer. Only use attachments, mounts, accessories, or brackets specified by Cerwin-Vega! or only specified products rated for overhead suspension. Refer all servicing to qualified personnel. Servicing is required when the apparatus has been damaged in any way.

WARNING! Before placing, installing, rigging, or suspending any speaker product, inspect all hardware, suspension, cabinets, transducers, brackets and associated equipment for damage. Any missing, corroded, deformed or non-load rated component could significantly reduce the strength of the suspension, placement, or array. Any such condition severely reduces the safety of the suspension and should be immediately corrected. Use only hardware which is rated for the loading conditions of the suspension and any possible short-term unexpected overloading. Never exceed the rating of the hardware or equipment. Consult a licensed, professional engineer when any doubt or questions arise regarding a physical equipment installation. Cerwin-Vega! is not responsible for damage or liability for improperly installed or maintained mounting and/or rigging systems.

Cerwin-Vega! CVP-2153 & CVP-1152 Loudspeaker Systems

10. SUSPENSION OF THE CVP SERIES

Remove the fly bracket screws in the fly points where you want to install M10 eye bolts. Screw in the M10 eye bolts being careful not to strip the fly bracket screw insert point. Do not remove fly bracket screws from areas where you will not install eye bolts – insure that either an eye bolt or a fly bracket screw is installed in all fly bracket screw insert locations.

De-rating

Using the mounting points at an angle will de-rate the WLL (Working Load Limit) for each mounting point. Each point mounted at an angle should be de-rated according to the following formula.

- $WLL = \cosine(\text{angle}) \times 500$
- Where: angle = degrees from vertical pull
500 = WLL for each CVP mounting point @ vertical pull

11. SPECIFICATIONS

Cerwin-Vega! Loudspeaker Systems	CVP-1152	CVP-2153
Frequency Range -10 dB	50 Hz - 20 kHz	37 Hz - 20 kHz
Frequency Response -3 dB	59 Hz - 18.5 kHz	48 Hz - 18.5 kHz
Sensitivity @ 1w / 1 Meter	99 dB	101 dB
Power Capacity RMS / PK	500 / 1000 w	1000 / 2000 w
Recommend Amplifier Power	750 w - 1000 w	1500 w - 2000 w
Maximum SPL	130 dB	134 dB
Coverage Pattern	60 x 40 rotatable	60 x 40 rotatable
HF Diaphragm Size	1.75"	1.75"
Weight	66.5 lbs	112.5 lbs
Fly Points	Yes	Yes
Bi Amp use	Yes	Yes
Rotatable Horn	Yes	Yes
HF Protection	Fast Reacting Suppression Limiter	
Woofers	Ceramic 3" VC	
Construction	Multi-ply Hardwood	
Finish	Polyurethane Paint	

Cerwin-Vega! CVP-2153 & CVP-1152 Loudspeaker Systems

Cerwin-Vega! Loudspeaker Systems	CVP-1152	CVP-2153
Recommended Amplifier Power in Bi Amp Mode	LF - 750 w to 1000 w HF - 100 w -150 w	LF/MF - 1500 w to 2000 w HF - 100 w -150 w
Bi Amp Crossover Settings	CVP-1152 LPF / HPF	CVP-2153 LPF / HPF
Gain	0 / -12.5 dB	0 / -10 dB
Type	Linkwitz-Riley	Linkwitz-Riley
Slope	-12 dB Oct / -12 dB Oct	-12 dB Oct / -12 dB Oct
Freq	2 kHz / 2 kHz	2 kHz / 2 kHz
Impedance	8 Ohms	4 Ohms
Dimensions (H x W x D)	28.1" x 18.2" x 16" 71.4 cm x 46.2 cm x 40.7 cm	45" x 18.2" x 19" 114.3 cm x 46.2 cm x 48.3 cm

Cerwin-Vega! CVP-2153 & CVP-1152 Loudspeaker Systems

CVP-1152 Dimensions (H x W x D)

(Figure 4)

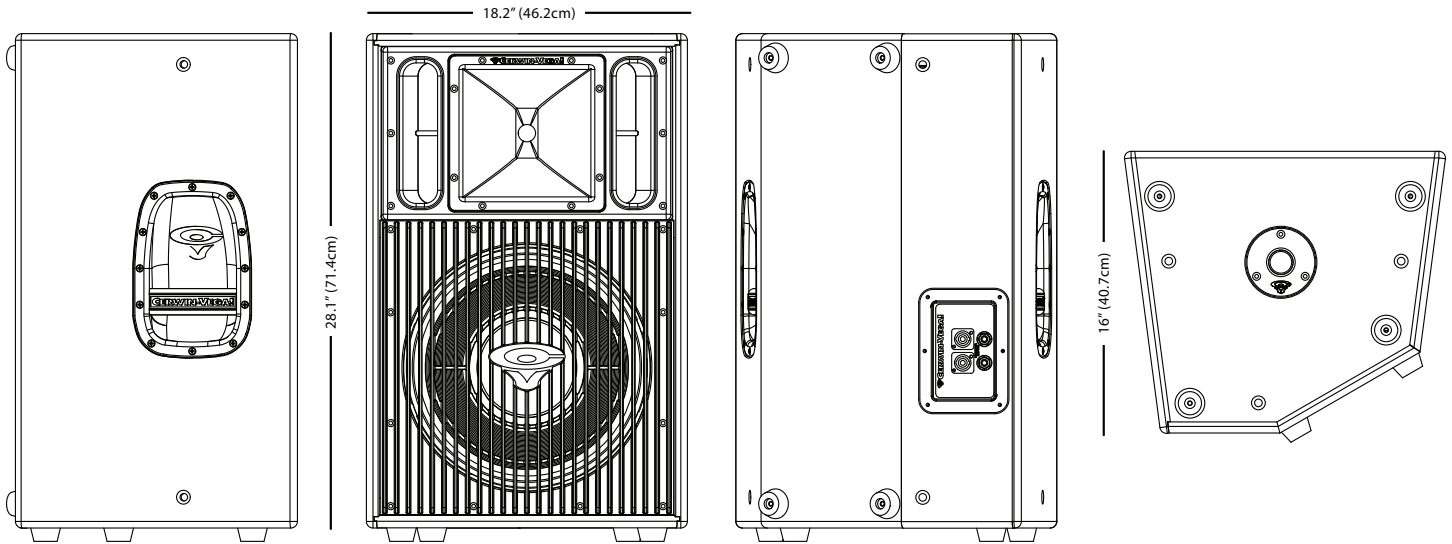


Figure 4

CVP-2153 Dimensions (H x W x D)

(Figure 5)

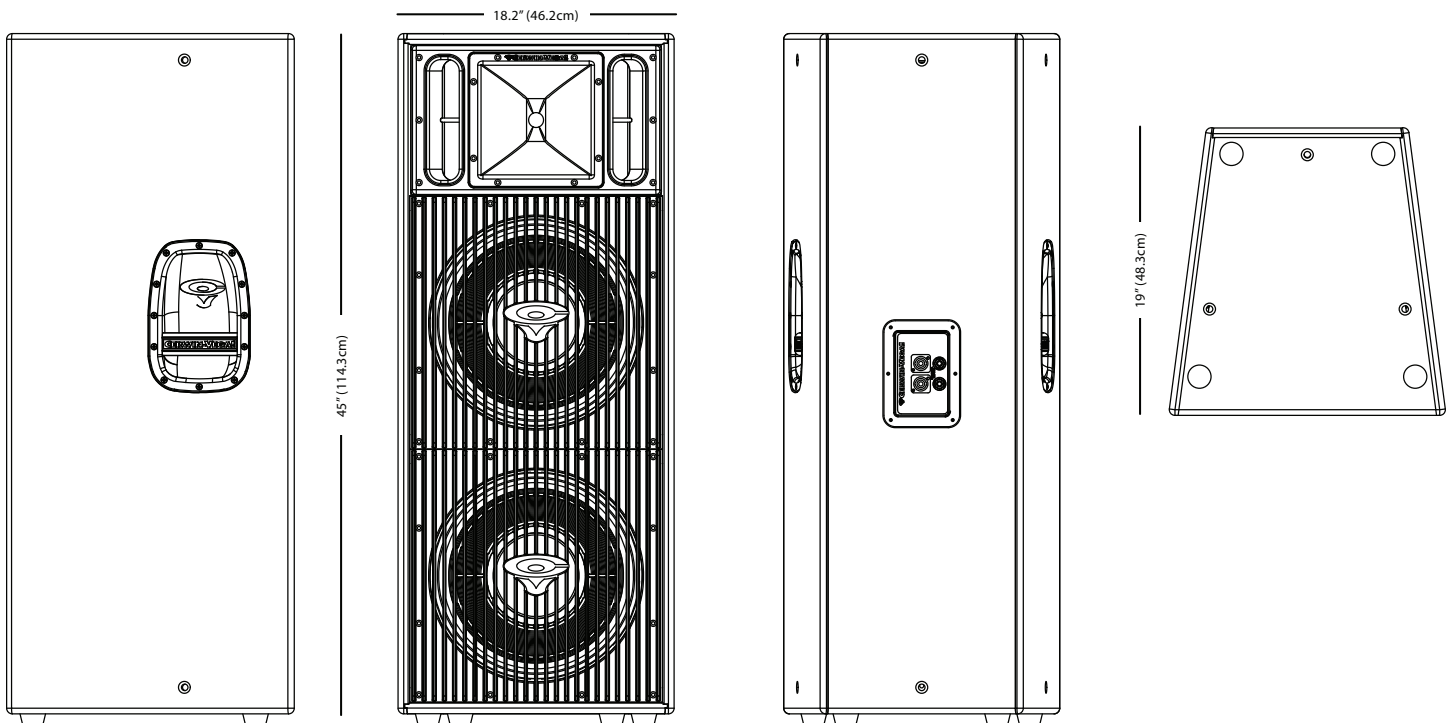


Figure 5

Contenido

1. Bienvenido a la familia de Cerwin-Vega!	15
2. Resumen - Características de Cerwin-Vega! CVP-2153 y CVP-1152	15
3. Antes de empezar: Seguridad y cuidado de sus altavoces CVP	16
4. Instalación y uso del CVP-2153 y el CVP-1152	19
5. Conexión y encadenamiento de altavoces	22
6. Circuito de protección de reacción rápida para altas frecuencias	23
7. Bocina rotativa	23
8. Uso del CVP-1152 como monitor de piso	23
9. Advertencia sobre la suspensión de altavoces	23
10. Suspensión de la serie CVP	24
11. Especificaciones	24

- **ENGLISH** version (page 2)

- **FRENCH** version (page 27)

1. BIENVENIDO A LA FAMILIA DE CERWIN-VEGA!

¡Felicitaciones! Bienvenido a la familia de Cerwin-Vega! Usted se ha unido a un grupo creciente de profesionales del audio que han adoptado Cerwin-Vega! para obtener los sistemas de reproducción de audio más avanzados que se encuentran disponibles. Todos los sistemas Cerwin-Vega! se prueban rigurosamente para asegurar que cumplan o excedan nuestras especificaciones de funcionamiento. Con el respaldo del mejor servicio de toda la industria, Cerwin-Vega! está dedicado a la calidad y la confiabilidad. Para ver un panorama completo de los productos y servicios de Cerwin-Vega!, visite www.cerwin-vega.com.

2. RESUMEN - CARACTERÍSTICAS DE CERWIN-VEGA! CVP-2153 Y CVP-1152

Presentamos los sistemas de altavoces pasivos de alto rendimiento de la Serie CVP de Cerwin-Vega! Professional. El CVP-1152 (sistema simple de dos vías de 15") y el CVP-2153 (sistema doble de tres vías de 15") ofrecen un rendimiento extremadamente alto, la legendaria reproducción de bajas frecuencias de Cerwin-Vega!, y una excelente calidad de sonido. Diseñada para ofrecer una reproducción exacta de sonido a niveles de SPL muy altos, la serie CVP "top box" tiene un rendimiento que se compara con todos nuestros sistemas de subwoofers, incluidas nuestras bocinas dobladas y nuestros subwoofers pasivos y activos de excitación directa.

- **Nuevo driver de alto rendimiento de 15"** – Empezamos por un driver de bajas y medianas frecuencias Cerwin-Vega! de 15" en una armazón moldeada, usando una bobina de voz de 3" diseñada para brindar graves potentes y una gama media clara y exacta para ofrecer un rendimiento de altos decibeles y baja distorsión.
- **Driver de compresión de Mylar para ofrecer un sonido armonioso en altas frecuencias** Integramos un driver de Mylar de alta compresión que ofrece un bajo nivel de distorsión con una respuesta armoniosa de altas frecuencias y una respuesta transitoria de ataque rápido. Con esto se obtiene una gama de altas frecuencias sedosa con una impresionante capacidad de largo alcance.
- **Rejilla moldeada, resistente y atractiva, que dota al sistema Cerwin-Vega! de una apariencia** – Y no nos detuvimos sólo en el rendimiento. Estos gabinetes de gama completa también tienen un aspecto excepcional, con parrillas de aluminio moldeado de alta resistencia. ¡No quedará duda de que la audiencia disfrutará de un sistema Cerwin-Vega! completo, desde la apariencia hasta el rendimiento!
- **Bocina rotativa para un control preciso de patrones** – La bocina rotativa de 60 x 40 grados ofrece un control flexible de patrones para aplicar a instalaciones (o funcionalidad de monitor, para el CVP-1152).
- **Uso del CVP-1152 como monitor** – El ángulo adicional de 60 grados del gabinete del CVP-1152 ofrece la posibilidad de colocarlo de lado para usarlo como monitor de escenario. Gire la bocina para lograr una mejor cobertura — ¡puede incluso girar la parrilla para que el logotipo de Cerwin-Vega! esté correctamente orientado! ¡Qué le parece!
- **Puntos de suspensión** – Nos tomamos la flexibilidad en serio, y la serie de altavoces de gama completa CVP refleja ese compromiso. Se suministran doce puntos de suspensión M10 integrados para instalaciones permanentes o aplicaciones de refuerzo de sonido que requieren suspensión elevada.

- **Funcionalidad de biamplificación** – Use el crossover preciso en el gabinete interno o excite las señales de alta y de baja frecuencia por separado, con un crossover activo y amplificadores dedicados para disponer de un control extraordinario y un funcionamiento discreto de gran solidez a alto nivel de decibeles.
- **Protección del driver de alta frecuencia** – Un nuevo limitador de supresión con circuito de relé de acción rápida para altas frecuencias, diseñado por Cerwin-Vega!, ofrece una protección de alta calidad para el sistema de alta frecuencia.

3. ANTES DE EMPEZAR: SEGURIDAD Y CUIDADO DE SUS ALTAVOCES CVP

Posicionamiento

Las frecuencias altas y medias son una parte crucial del espectro de sonido, y tienen mucho que ver con la forma en que percibimos la claridad y la inteligibilidad. Si bien estas frecuencias son las más fácilmente ubicables, también son las primeras que se bloquean acústicamente. Tomando en cuenta los ángulos de cobertura de los modelos utilizados, instale los altavoces de modo que los excitadores de frecuencias medias y altas no tengan obstrucciones y que las altas frecuencias puedan llegar a toda la audiencia (por ejemplo, ligeramente por encima de las cabezas de la audiencia). Esto asegurará la dispersión óptima del contenido de alta frecuencia y por lo tanto una mejora de la inteligibilidad y la claridad del habla.

Cómo evitar la realimentación o "feedback"

Coloque siempre los altavoces frontales (los que están de cara a la audiencia) delante de los micrófonos, es decir, hacia el borde delantero del escenario. Utilice cuñas profesionales para el piso (por ejemplo, CVP-1152) u otros sistemas de monitoreo confiables, con el fin de asegurar que los artistas que están en el escenario puedan oírse a sí mismos. Siempre que sea posible, coloque los altavoces de monitoreo de modo que apunten solamente a la parte trasera de los micrófonos.

Cómo evitar la realimentación al usar bandejas tocadiscos (por ejemplo, aplicaciones de DJ)

Los tocadiscos suelen producir feedback de baja frecuencia: las bajas frecuencias se retroalimentan al brazo de pickup y al cartucho y son reproducidas de nuevo por los altavoces. Algunas causas comunes del feedback de baja frecuencia: los altavoces están colocados demasiado cerca del tocadiscos, o sobre pisos de madera o elementos escénicos propensos a vibrar. Para evitar esto, coloque los altavoces lo más lejos posible de la bandeja tocadiscos. También puede ser útil colocarlos sobre una base sólida y no resonante. Si está usando los altavoces modelo CVP-1152, pruebe a montarlas sobre bases. Esto minimizará el contacto directo entre el piso y los altavoces, con el fin de reducir las vibraciones.

Proteja sus altavoces

Además de cumplir con reglas de sentido común como las precauciones al fijar los niveles, con el fin de evitar sobrecargar los amplificadores, y entender y respetar las limitaciones físicas de su sistema, hay un par de métodos confiables para proteger sus altavoces (y todo el sistema de audio) utilizando equipos adicionales: El uso de un filtro de paso alto para evitar frecuencias excesivamente bajas, ya que el ruido de baja frecuencia, o las frecuencias extremadamente bajas, pueden causar un desplazamiento excesivo del diafragma del altavoz, y causar daños. El uso de un ecualizador o un filtro de corte bajo/paso alto para eliminar las bajas frecuencias por debajo de la curva de respuesta del altavoz, puede prevenir eficazmente este problema. La mayoría de las consolas y ecualizadores externos, así como muchos otros procesadores de señal externos, y por supuesto los sistemas de manejo de altavoces, proporcionan un filtro de paso alto.

El uso de un filtro de paso alto en la trayectoria de la señal se recomienda especialmente cuando se usan bandejas tocadiscos y/o equipos de CD como fuentes de la señal. Los reproductores de CD generan a menudo frecuencias extremadamente bajas, lo cual puede causar un desplazamiento excesivo del diafragma. El uso de un limitador para limitar el nivel de salida, insertando el limitador entre la salida de la consola de mezclado y el amplificador de potencia. Muchos tipos de procesadores externos de señales y la mayor parte de los sistemas de manejo de altavoces incluyen limitadores para esta aplicación. Si se usan correctamente, pueden eliminar la sobrecarga de las señales de audio y suprimir eficazmente los picos de señal peligrosos, lo que no solamente puede degradar la calidad del sonido sino también causar daños irreversibles a los altavoces y a otros componentes del sistema.

Selección del amplificador de potencia

La selección del amplificador de potencia correcto tiene una influencia fundamental sobre el funcionamiento de los altavoces. El amplificador debe siempre suministrar por lo menos la potencia que el sistema de altavoces sea capaz de manejar. Para asegurar la reproducción precisa de transitorios breves de alta potencia, el amplificador debe proporcionar más o menos el doble de potencia que los amplificadores puedan manejar. Las potencias mínimas de entrada recomendadas para los sistemas CVP-1152 y CVP-2153 se muestran en la Tabla de Especificaciones.

Selección de cables

La calidad y las características de los cables de altavoz utilizados afectan también el funcionamiento de los altavoces. Utilice siempre cables de alta calidad fabricados con alambre de calidad profesional, y conectores adaptados correcta y cuidadosamente al sistema. La selección del calibre apropiado de alambre es particularmente importante para el funcionamiento del sistema. Un cable demasiado ligero o de bajo calibre ocasionará pérdidas de potencia del amplificador, debido a la resistencia en serie del cable, y ocasionará también una pérdida de bajas frecuencias debido a la degradación del factor de amortiguación. El calibre ideal se determina a base de dos factores: la longitud del cable y la carga o impedancia. Para las extensiones de cables de hasta 50 pies (15 m) con una carga de 8 ohmios, recomendamos usar un alambre de calibre 14 como mínimo; el mínimo para una carga de 4 ohmios es el calibre 12. Para extensiones de 50 a 100 pies (15 a 30 m), utilice por lo menos un alambre de calibre 12 para cargas de 8 ohmios y calibre 10 para 4 ohmios. A 200 pies (60 m), utilice cables de calibre 10 y 8, respectivamente, y así sucesivamente.

Uso de postes, monturas en trípodes y movimiento debido a las vibraciones

Los altavoces Cerwin-Vega! CVP a los que se refiere este manual están diseñados para aplicaciones portátiles en las cuales los altavoces se apilan directamente sobre el piso, escenario, una base sólida estable, o se montan en un trípode o un poste. (El montaje en poste o trípode solamente se aplica al CVP-1152). La Serie CVP puede también suspenderse usando anillos forjados M10 estándar en la industria. Consulte las advertencias e instrucciones de suspensión que aparecen más adelante en este documento.

¡ESTOS ALTAVOCES SON PESADOS!

Use el sentido común y cumpla con las especificaciones del fabricante cuando coloque los altavoces sobre bases o postes. Nunca exceda el límite de seguridad nominal de un poste o base para altavoz. Nunca coloque un altavoz en un poste o trípode que está inclinado, ya que el altavoz puede caerse.

Los altavoces Cerwin-Vega! Professional pueden generar un nivel considerable de energía. Si se coloca sobre una superficie resbaladiza, por ejemplo un piso de madera pulida o de linóleo, el altavoz puede moverse debido a la energía acústica que genera. Se deben tomar precauciones para asegurar que el altavoz no se caiga de un escenario o plataforma donde se encuentra colocado.

El modelo de altavoz Cerwin-Vega! CVP-1152 incluye un accesorio que facilita el montaje sobre bases de trípode o en postes. Cuando utilice bases o postes, tome las siguientes precauciones:

- Lea la especificación de la base para asegurarse de que esté diseñada para soportar el peso del altavoz.
- Tome todas las precauciones de seguridad indicadas por el fabricante de la base.
- Verifique siempre que la base esté colocada sobre una superficie plana, horizontal y estable, y extienda totalmente las bases de los trípodes. Coloque la base de modo que las patas no causen tropiezos.
- Encamine los cables de modo que los artistas, la cuadrilla de producción y la audiencia no tropiece en los mismos y arrastre y haga caer el altavoz.
- No coloque más de un altavoz sobre una base diseñada para soportar un solo altavoz.
- Sea siempre cuidadoso al aire libre, cuando haya viento. Puede ser necesario colocar pesos adicionales (por ejemplo, bolsas de arena) al pie de la base para mejorar la estabilidad de la misma.
- A menos que tenga confianza de poder levantar el peso del altavoz, pídale a otra persona que le ayude a subirlo a la base de trípode o poste.

Humedad

La humedad puede dañar el cono y el borde del altavoz y del surround y causar la corrosión de los contactos eléctricos. Evite exponer directamente los altavoces a la humedad. Mantenga los altavoces apartados de la luz solar extendida o directa intensa. La suspensión del excitador o driver se reseca prematuramente, y las superficies acabadas pueden degradarse a través de la exposición a largo plazo a la luz ultravioleta intensa.

Encendido

Para evitar dañar su altavoz y otras partes de su sistema, siempre encienda en último lugar el amplificador de potencia. Esto evitará ruidos fuertes y dañinos que molestarán a su audiencia y dañarán sus altavoces. Cuando apague el sistema, siempre deberá apagar primero el amplificador, a fin de evitar los mismos problemas.

Polaridad

Cuando use dos o más sistemas de altavoces, haga corresponder la polaridad (+/-) de los conectores del sistema de altavoces con la del amplificador. Si las polaridades no coinciden, los sonidos generados por el altavoz se interferirán mutuamente, con lo cual será imposible conseguir un campo de sonido bien equilibrado.

Daños auditivos y exposición prolongada a una SPL excesiva

Los altavoces de la Serie CVP pueden generar fácilmente niveles de presión de sonido (SPL) suficientes para causar daños irreversibles al oído de los artistas, la cuadrilla de producción y los miembros de la audiencia. Es necesario tomar las debidas precauciones para evitar la exposición prolongada a presiones de sonido superiores a 85 dB.

4. INSTALACIÓN Y USO DEL CVP-2153 Y EL CVP-1152

Configuraciones de entrada / Modos de gama completa y biamplificado

Los modelos de la Serie CVP están equipados con un conector Speakon de 4 patillas y dos entradas de conector telefónico de 1/4". Los altavoces ofrecen un modo de GAMA COMPLETA (FULL RANGE) en el que la señal de un amplificador alimenta al altavoz completo, o un modo de biamplificación (BI AMP) en el que la señal de un amplificador alimenta el driver de compresión de altas frecuencias y un segundo amplificador alimenta los drivers de bajas frecuencias.

Los conectores Speakon de 4 patillas están configurados como sigue:

- Modo de gama completa (FULL RANGE): 1+ positivo / 1- negativo. (2+ y 2- no se usan.)
- Modo BI AMP: 1+ LF positivo / 1- negativo, 2+ HF positivo / 2- HF negativo.

Los conectores telefónicos de un cuarto de pulgada se configuran como sigue:

Modo de gama completa (FULL RANGE), únicamente: Punta positiva / Camisa negativa.

Para cambiar el sistema al modo Bi Amp, siga estas instrucciones:

1. Retire la rejilla (doce tornillos) y el woofer (ocho tornillos) NOTA: Polaridad de conexión del woofer.
2. Mueva el arnés de cables de "FULL RANGE" a "BI AMP" en la tarjeta de circuitos de entrada y en la tarjeta de circuitos de crossover. (Figura 1, Full Range Mode)
3. Verifique que el conector esté bien colocado.
4. Reconecte el woofer y apriete los ocho tornillos.
5. Reinstale la rejilla con los doce tornillos.

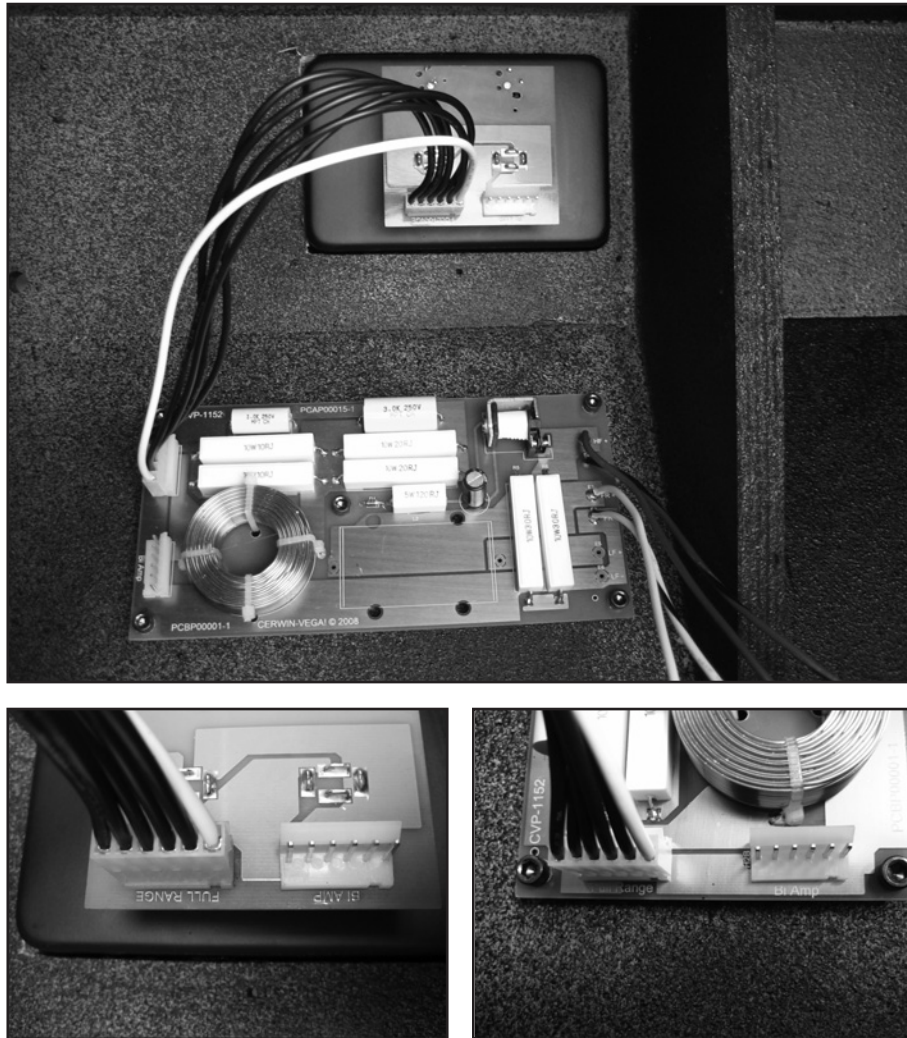


Figura 1, Full Range Mode

Para cambiar de nuevo el sistema al modo "FULL RANGE" (vea los pasos 1 a 5 anteriores), pero mueva el arnés de cables de "BI AMP" a "FULL RANGE" en la tarjeta de circuitos de entrada y en la tarjeta de circuitos de crossover. (Figura 2, Bi Amp Mode)

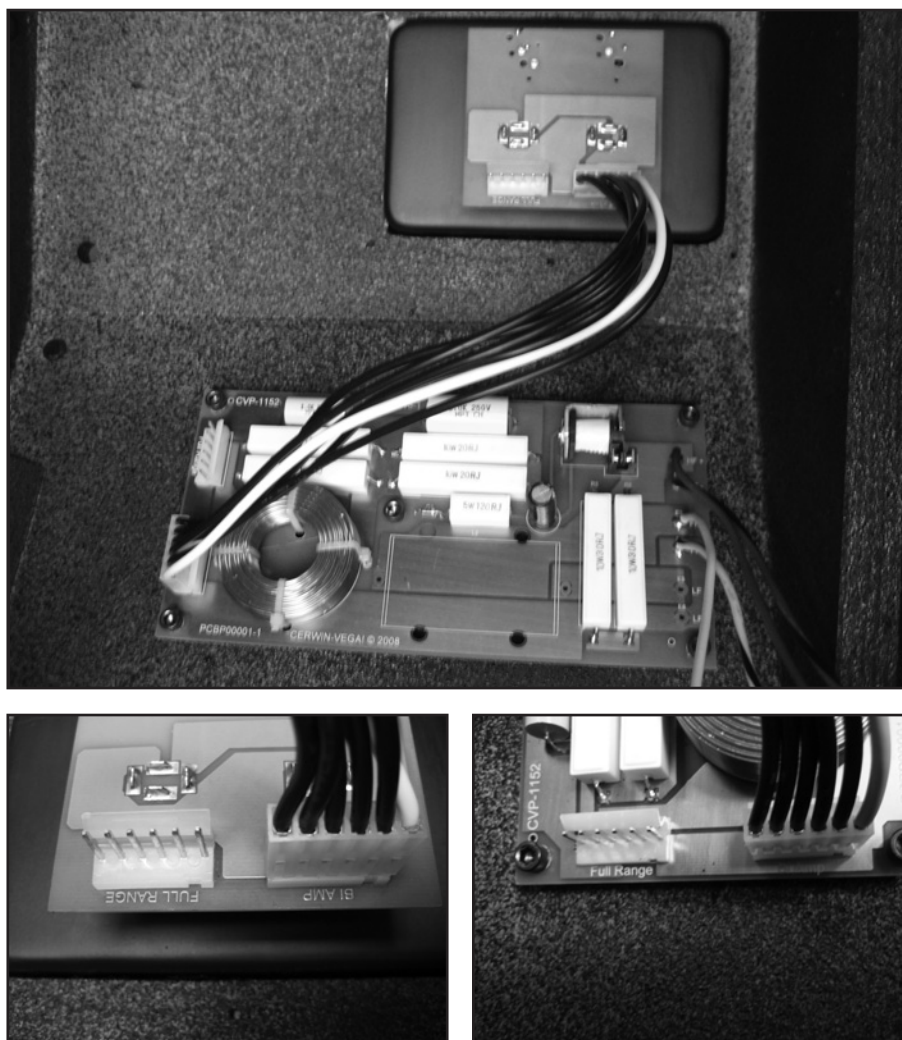


Figura 2, Bi Amp Mode

5. CONEXIÓN Y ENCADENAMIENTO DE ALTAVOCES

Las entradas de los conectores se conectan en paralelo a los conectores de pasaje "through" en los modos Full Range y Bi Amp, de modo que cualquiera de los dos conectores funcionará. El otro conector puede usarse entonces para enviar la señal a otro altavoz. Consulte los siguientes diagramas para ver los valores correctos de impedancia (en ohmios) cuando se encadenan altavoces. (Figura 3)

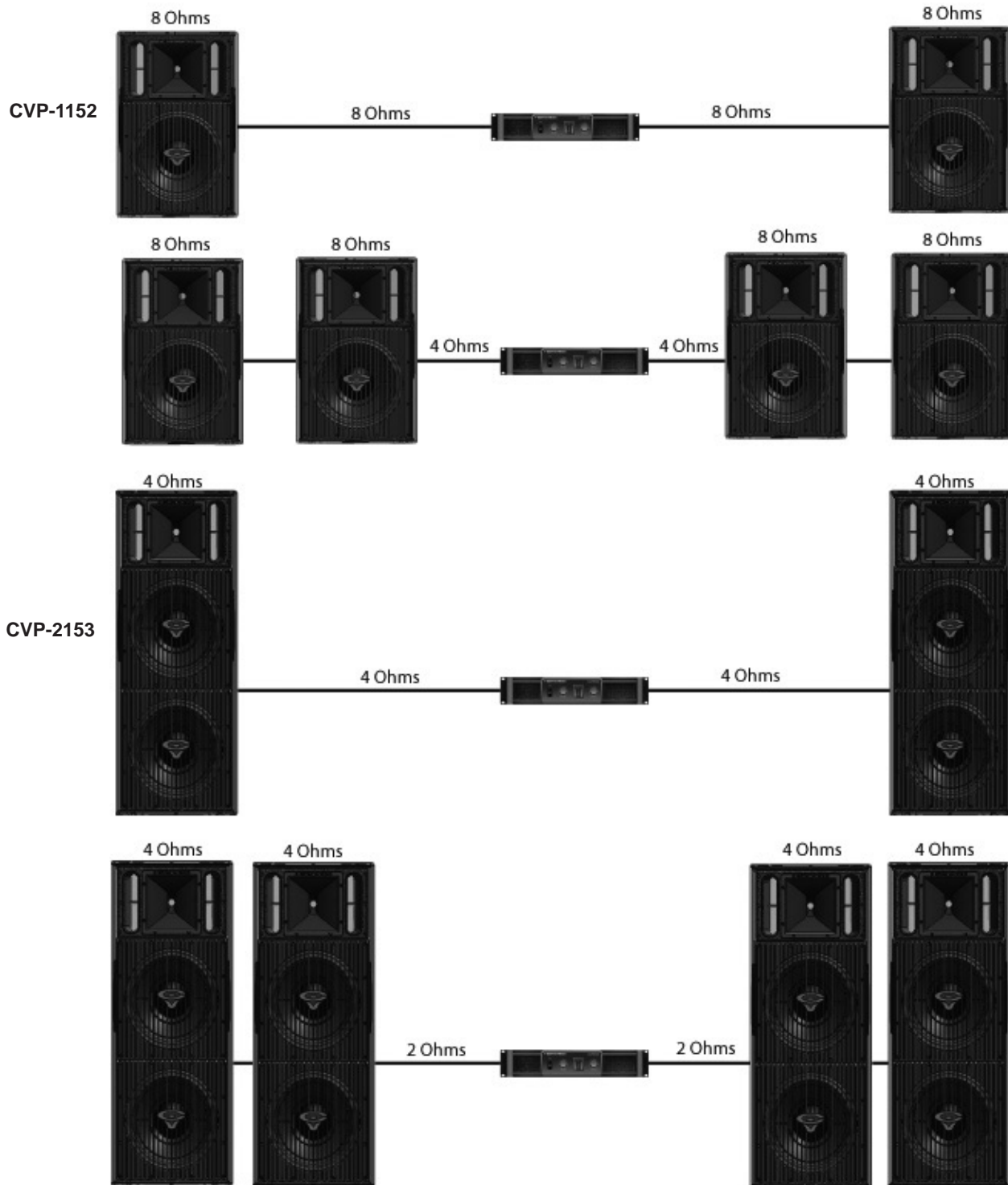


Figura 3

6. CIRCUITO DE PROTECCIÓN DE REACCIÓN RÁPIDA PARA ALTAS FRECUENCIAS

Sus altavoces CVP ofrecen un limitador de supresión de acción rápida que detecta el voltaje de entrada y reduce los niveles de voltaje potencialmente dañinos que de otro modo llegarían a los drivers de alta frecuencia.

7. BOCINA ROTATIVA

La bocina de alta frecuencia de la serie CVP se instala con orientación horizontal a 60 grados y con orientación vertical a 40 grados. La bocina puede girarse para obtener 40 grados verticalmente 60 grados horizontalmente, lo que ofrece un patrón alternativo de dispersión de altas frecuencias que resulta útil en ciertas situaciones de instalación o cuando se usa el CVP-1152 como monitor de piso.

Retire los tornillos, gire la bocina 45 grados y coloque los tornillos, cuidando de no aplicar demasiada presión de torsión.

8. USO DEL CVP-1152 COMO MONITOR DE PISO

El CVP-1152 se puede usar como monitor de piso. Típicamente, le contiene tener más cobertura de alta frecuencia de izquierda a derecha a lo largo del escenario o lugar de actuación. Siga las instrucciones dadas antes en este documento para girar la bocina. Tenga en cuenta que puede girar la rejilla para orientar correctamente el logotipo de Cerwin-Vega! ¡Qué le parece!

Para girar la rejilla, retire primero los tornillos de la rejilla. Tire hacia afuera de la rejilla y hágala girar 90 grados. Coloque de nuevo los tornillos, teniendo cuidado al aplicar la presión de torsión.

9. ADVERTENCIA SOBRE LA SUSPENSIÓN DE ALTAVOCES

La Serie CVP utiliza anillos forjados M10.

Use solamente anillos certificados profesionalmente para soportar 10 veces la carga.

¡Suspender altavoces es un asunto serio! Si no se suspenden correctamente los sistemas de altavoces, pueden ocurrir lesiones o muertes. ¡Lea y cumpla estas instrucciones cuidadosamente!

La suspensión de altavoces debe hacerse de conformidad con las instrucciones de Cerwin-Vega! y bajo la supervisión de un ingeniero de sonidos/instalación profesional o ingeniero estructural. Usar solamente uniones, montajes, accesorios o abrazaderas especificadas por Cerwin-Vega! o solamente productos especificados para la suspensión elevada. Todas las tareas de servicio deberán ser realizadas por personal de servicio calificado. Cuando el aparato ha sufrido cualquier tipo de daño, se requerirá el servicio.

ADVERTENCIA: Antes de colocar, instalar, preparar o suspender cualquier altavoz, inspeccione todos los accesorios, la suspensión, los gabinetes, transductores, abrazaderas y equipos relacionados para detectar cualquier daño. Cualquier componente que falte, que esté deformado o no sea adecuado a la carga podría reducir significativamente la resistencia de la suspensión, colocación o conjunto. Dichos problemas reducen notablemente la seguridad de la suspensión y deben corregirse de inmediato. Use únicamente accesorios que soporten las condiciones de carga de la suspensión y las sobrecargas inesperadas a corto plazo. Nunca exceda los valores nominales de los accesorios o de los equipos. Consulte a un ingeniero profesional licenciado cuando tenga dudas o preguntas referentes a la instalación física de equipos. Cerwin-Vega! no se responsabiliza de daños o responsabilidad civil por sistemas de montaje y/o preparación indebidamente instalados o mantenidos.

10. SUSPENSIÓN DE LA SERIE CVP

Retire los tornillos de las abrazaderas de suspensión de los puntos donde desea instalar anillos M10. Atornille los anillos M10 teniendo cuidado de no pasar de rosca el punto de inserción de la abrazadera de suspensión. No retire los tornillos de abrazaderas de suspensión de los lugares donde no instalará anillos de suspensión – asegúrese de que haya un tornillo con anillo o un tornillo de abrazadera en todos los puntos de inserción de tornillos de abrazaderas de suspensión.

Modificación de cargas nominales

Si se usan los puntos de montaje en ángulo, el valor WLL (límite de carga de trabajo) cambiará para cada punto de montaje. Para cada punto montado en ángulo debe modificarse el límite de carga según la siguiente fórmula.

- $WLL = \text{coseno}(\text{ángulo}) \times 500$
- Donde: ángulo = grados respecto a la vertical
500 = WLL para cada punto de montaje de CVP colgado verticalmente

11. ESPECIFICACIONES

Cerwin-Vega! Sistemas de Altavoces	CVP-1152	CVP-2153
Gama de frecuencias -10 dB	50 Hz - 20 kHz	37 Hz - 20 kHz
Respuestas de frecuencia -3 dB	59 Hz - 18.5 kHz	48 Hz - 18.5 kHz
Sensibilidad @ 1w / 1 Meter	99 dB	101 dB
Capacidad de potencia RMS / PK	500 / 1000 w	1000 / 2000 w
Potencia de amplificador recomendada	750 w - 1000 w	1500 w - 2000 w
SPL máxima	130 dB	134 dB
Patrón de cobertura	60 x 40 rotativo	60 x 40 rotativo
Tamaño de diafragma de alta frecuencia	1.75"	1.75"
Peso	66.5 lbs	112.5 lbs
Puntos de suspensión	Sí	Sí
Uso de biamplificación	Sí	Sí
Bocina rotativa	Sí	Sí
Protección de alta frecuencia	Limitador de supresión rápido	
Woofers	VC cerámico de 3"	
Construcción	Madera dura multilaminada	
Acabado	Pintura de poliuretano	

Cerwin-Vega! Sistemas de altavoces CVP-2153 y CVP-1152

Cerwin-Vega! Sistemas de Altavoces	CVP-1152	CVP-2153
Potencia de amplificación recomendada en modo Bi Amp	LF - 750 w to 1000 w HF - 100 w -150 w	LF/MF - 1500 w to 2000 w HF - 100 w -150 w
Ajustes de crossover para Bi Amp	CVP-1152 LPF / HPF	CVP-2153 LPF / HPF
Ganancia	0 / -12.5 dB	0 / -10 dB
Tipo	Linkwitz-Riley	Linkwitz-Riley
Pendiente	-12 dB Oct / -12 dB Oct	-12 dB Oct / -12 dB Oct
Frec.	2 kHz / 2 kHz	2 kHz / 2 kHz
Impedancia	8 Ohms	4 Ohms
Dimensiones (Altura x Anchura x Profundidad)	28.1" x 18.2" x 16" 71.4 cm x 46.2 cm x 40.7 cm	45" x 18.2" x 19" 114.3 cm x 46.2 cm x 48.3 cm

CVP-1152 Dimensiones (Altura x Anchura x Profundidad)
(Figura 4)

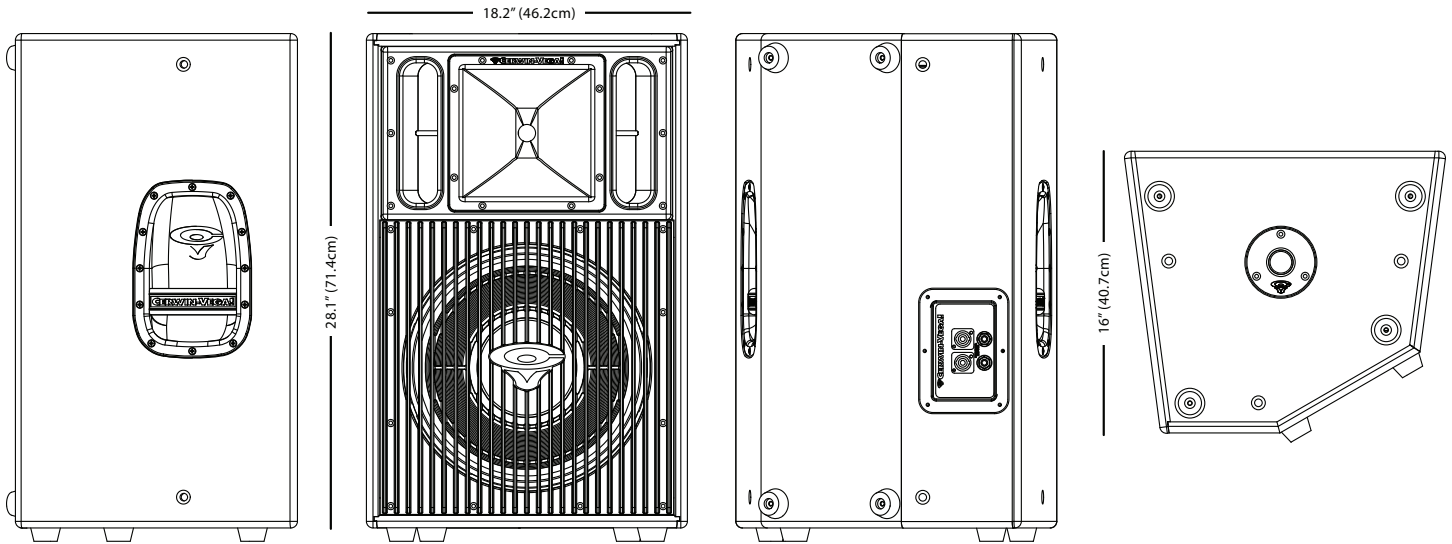


Figura 4

CVP-2153 Dimensiones (Altura x Anchura x Profundidad)
(Figura 5)

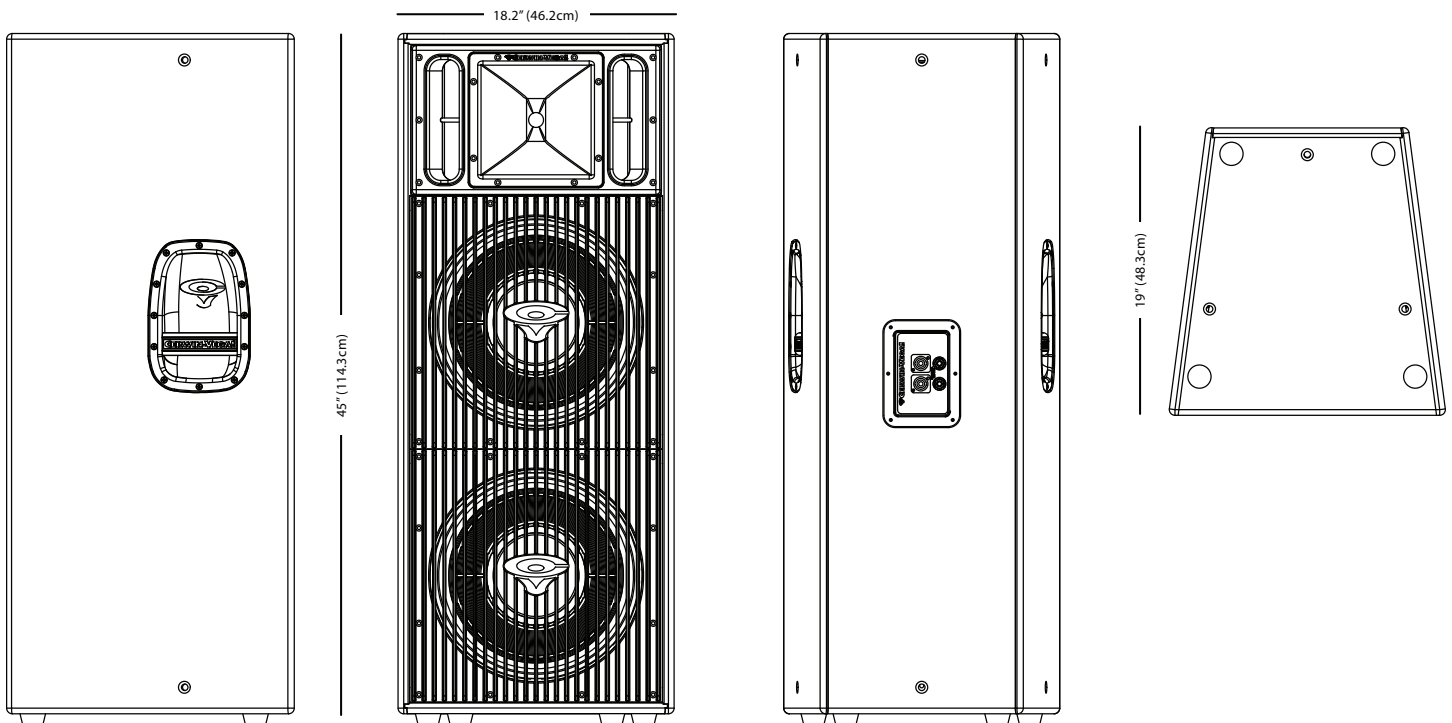


Figura 5

Table des matières

1. Bienvenue au sein de la famille Cerwin-Vega!	28
2. Aperçu – Caractéristiques des haut-parleurs Cerwin-Vega! CVP-2153 et CVP-1152	28
3. Avant de commencer : Sécurité et entretien de vos haut-parleurs CVP	29
4. Installation et utilisation des haut-parleurs CVP-2153 et CVP-1152	32
5. Connecter des haut-parleurs et les relier en chaîne	35
6. Circuit de protection à réaction rapide contre les fréquences hautes	36
7. Pavillon rotatif	36
8. Utilisation d'un CVP-1152 comme moniteur au sol	36
9. Avertissement concernant les haut-parleurs suspendus	36
10. Suspendre des haut-parleurs CVP	37
11. Fiche technique	38

- **ENGLISH** version (page 2)

- **SPANISH** version (page 14)

1. BIENVENUE AU SEIN DE LA FAMILLE CERWIN-VEGA!

Félicitations! Bienvenue au sein de la famille Cerwin-Vega! Vous venez de rejoindre un groupe grandissant de professionnels de l'audio qui se sont tournés vers Cerwin-Vega! afin d'avoir accès aux systèmes de reproduction audio les plus avancés actuellement disponibles. Tous les systèmes Cerwin-Vega! sont testés minutieusement pour garantir qu'ils atteignent ou dépassent nos spécifications de performance. Désirant offrir le meilleur service à la clientèle de tout le secteur de l'audio, Cerwin-Vega! vous garantit la qualité et la fiabilité de ses produits. Pour avoir un aperçu général des produits et des services offerts par Cerwin-Vega!, allez sur www.cerwin-vega.com.

2. APERÇU – CARACTÉRISTIQUES DES HAUT-PARLEURS CERWIN-VEGA! CVP-2153 ET CVP-1152

C'est avec fierté que Cerwin-Vega! Professional vous présente ses systèmes de haut-parleurs passifs haute performance de la série CVP. Le CVP-1152 (système composé d'un haut-parleur de 15 pouces à deux voies) et le CVP-2153 (système composé de deux haut-parleurs de 15 pouces à trois voies) offrent d'excellentes performances, la légendaire reproduction des fréquences basses propre à Cerwin-Vega! et une qualité sonore exceptionnelle. Conçus pour assurer une reproduction sonore fidèle avec des niveaux de pression acoustique très élevés, les haut-parleurs CVP offrent des performances à la hauteur de tous nos systèmes de haut-parleurs d'extrême grave, y compris nos modèles à pavillon plié et nos haut-parleurs actifs à projection directe.

- **Nouveau haut-parleur de 15 pouces haute performance** – Nous avons tout d'abord placé un nouveau haut-parleur de graves/moyennes de 15 pouces haute performance Cerwin-Vega! dans un châssis moulé avec une bobine acoustique de 3 pouces conçue pour produire des fréquences basses percutantes et des fréquences moyennes nettes et exactes, afin de garantir de très faibles distorsions avec un volume puissant.
- **Haut-parleur à compression Mylar reproduisant le registre aigu avec douceur** – Nous avons ensuite ajouté un haut-parleur à compression Mylar haute performance puisant ses capacités en profondeur, qui reproduit le son avec très peu de distorsion, particulièrement le registre aigu, tout en offrant une réponse transitoire très rapide. Tout cela permet d'avoir des fréquences hautes soyeuses ayant d'excellentes capacités de projection.
- **Grille moulé robuste et attrayante, procurant un look propre de système Cerwin-Vega! professionnel** – ne nous sommes pas satisfaits des caractéristiques de performance. Ces enceintes à gamme complète ont un look à la hauteur de leurs capacités, se caractérisant notamment par de robustes grilles assorties en aluminium moulé. Le public saura sans doute que le son provient d'un système Cerwin-Vega! assorti, autant par l'excellence des performances que par le look caractéristique!
- **Pavillon rotatif pour un contrôle concis des amplitudes** – Le pavillon rotatif de 60 x 40 degrés procure un contrôle souple des amplitudes dans les applications installées (ou fonctionnalité de moniteur pour le CVP-1152).
- **Utilisation du CVP-1152 à titre de moniteur** – L'angle supplémentaire de 60 degrés de l'enceinte du CVP-1152 permet de le poser sur le côté et de l'utiliser comme moniteur de scène. Il suffit de faire tourner le pavillon pour orienter le son. Vous pouvez même tourner la grille pour que le logo Cerwin-Vega! soit dans la bonne direction! C'est vraiment ce que l'on appelle le souci du détail!

- **Points mobiles** – Nous désirons vraiment offrir une souplesse d'utilisation maximale et les haut parleurs pleine gamme de la série CVP honorent cet engagement. Nous offrons douze points mobiles M10 intégrés convenant aux installations permanentes et aux applications de soutien sonore avec haut-parleurs suspendus.
- **Fonctionnalité de bi-amplification** – Utilisez les recouvrements précis dans les enceintes ou reproduisez séparément les fréquences hautes et basses avec un recouvrement actif et des amplificateurs distincts procurant un contrôle incroyable avec de très solides performances discrète à volume élevé.
- **Protection contre les fréquences hautes** – Un nouveau limiteur supprimeur de fréquences hautes avec relais très rapide conçu par Cerwin-Vega! procure au système haute fréquence une protection de qualité supérieure.

3. AVANT DE COMMENCER: SÉCURITÉ ET ENTRETIEN DE VOS HAUT-PARLEURS CVP

Positionnement

Les fréquences hautes et moyennes supérieures constituent une partie cruciale du spectre audio. Elles jouent un rôle très important au niveau de la clarté et de la netteté du son. Bien que ces fréquences soient les plus faciles à situer, elles sont également les premières à souffrir des obstacles acoustiques. Sans jamais oublier les angles de projection des modèles utilisés, installez vos enceintes de telle sorte que les haut parleurs de fréquences moyennes et hautes n'aient aucun obstacle et que les plus hautes fréquences atteignent tout le public (c'est-à-dire juste au-dessus des têtes). Vous aurez ainsi une dispersion optimale des fréquences hautes et donc un maximum de clarté et de netteté.

Éviter les retours de son

Placez toujours les haut-parleurs frontaux (enceintes tournés vers le public) devant les micros, c'est-à-dire plutôt à l'avant de la scène. Utilisez des moniteurs au sol professionnels fiables (p. ex. des CVP-1152), afin que les artistes sur scène puissent bien s'entendre. Dans la mesure du possible, placez les moniteurs pour qu'ils couvrent uniquement la scène derrière les micros.

Éviter les retours de son avec des tables tournantes (par ex. applications dj)

Les tables tournantes produisent souvent des retours de son graves : Les fréquences basses sont captées par le bras de lecture et la cartouche, puis reproduites de nouveau par les haut parleurs. Les causes les plus courantes de ces retours de son graves sont un positionnement des haut parleurs trop près de la table tournante ou sur un plancher de bois ou sur des éléments de scène sensibles aux vibrations. Pour éviter ce problème, placez les haut parleurs aussi loin que possible de la table tournante. Il est également préférable de les placer sur une surface solide, sans résonance. Si vous utilisez des haut parleurs CVP-1152, essayez de les monter sur des supports. Vous minimiserez ainsi les contacts entre le plancher et les haut parleurs, ce qui aidera à réduire les vibrations.

Protection de vos haut-parleurs

Outre les règles faisant appel au bon sens comme faire attention de ne pas pousser le son à des niveaux dépassant les capacités de vos amplificateurs de puissance, ainsi que la connaissance et le respect des limites physiques de votre système, il existe des méthodes fiables permettant de protéger vos haut-parleurs (et tout votre système) avec l'aide d'équipements supplémentaires. Ainsi, vous pouvez utiliser un filtre passe-haut pour éviter les excès de fréquences basses, puisque les grondements de fréquences basses et les fréquences extrêmement basses peuvent provoquer un déplacement du diaphragme du haut-parleur conduisant à des dommages permanents. Pour éviter ce problème, vous pouvez utiliser un égaliseur ou un filtre passe-haut de coupures de graves pour éliminer les fréquences basses situées sous la courbe de réponse du haut-parleur. Un filtre passe-haut est généralement disponible sur plusieurs consoles et égaliseurs externes, ainsi que sur d'autres processeurs de signaux externes et évidemment dans les systèmes de gestion de haut-parleurs. L'utilisation d'un filtre passe haut dans le chemin du signal est particulièrement utile si vous utilisez des tables tournantes ou des lecteurs de CD comme source de signal. Les lecteurs de CD produisent souvent des fréquences extrêmement basses pouvant produire un déplacement excessif du diaphragme des haut-parleurs. Vous pouvez aussi utiliser un limiteur de sortie. Insérez le limiteur entre la sortie de la console de mixage et l'amplificateur de puissance. Plusieurs types de processeurs de signaux externes et la plupart des systèmes de gestion des haut-parleurs possèdent des limiteurs pour ces situations. Lorsqu'ils sont correctement utilisés, ils peuvent éliminer les dépassements de signaux audio et supprimer efficacement les pointes dangereuses, lesquelles peuvent non seulement dégrader la qualité du son, mais aussi causer des dommages permanents à vos haut-parleurs et aux autres composants de votre système.

Choisir son amplificateur de puissance

Le choix d'un amplificateur de puissance approprié peut avoir des répercussions majeures sur les performances de vos haut-parleurs. L'amplificateur doit toujours pouvoir fournir au moins autant de puissance que ce que le système de haut-parleurs peut accepter. Afin d'assurer une reproduction précise des transitoires brefs et puissants, l'amplificateur devrait avoir deux fois plus de puissance que ce que les haut-parleurs peuvent accepter. Les niveaux de puissance d'entrée minimale recommandés pour les systèmes CVP-1152 et CVP-2153 sont indiqués dans la fiche technique.

Choix des câbles

La qualité et les caractéristiques des câbles de haut-parleur utilisés affectent considérablement le rendement des haut-parleurs. Utilisez toujours des câbles de qualité supérieure, fabriqués avec des fils et des connecteurs de qualité professionnelle, installés correctement et avec beaucoup de soins. Le choix de câbles d'une grosseur appropriée est très important pour le bon fonctionnement de votre système. Un câble trop léger ou trop mince conduit à un gaspillage de la puissance de l'amplificateur, à cause de la résistance série du câble, et à une perte de performance en basse fréquence attribuable à la dégradation du facteur d'amortissement. La grosseur de fil idéale dépend de deux facteurs : La longueur du câble et la valeur de la charge (ou impédance). Si vos câbles ont une longueur atteignant 15 mètres avec une charge de 8 ohms, nous recommandons d'utiliser du fil de calibre 14 (calibre 12 au moins si la charge est de 4 ohms). Si les câbles ont une longueur de 15 à 30 mètres, utilisez au moins des fils de calibre 12 avec une charge de 8 ohms ou de calibre 10 avec une charge de 4 ohms. Avec une longueur de 60 mètres, vous devez respectivement utiliser des fils de calibre 10 et 8, etc.

Utilisation de poteaux et trépieds, déplacement des haut-parleurs causés par des vibrations

Les haut-parleurs CVP Cerwin-Vega! décrits dans ce manuel sont conçus pour des utilisations portables au cours desquelles ils sont empilés directement sur le sol, sur une scène, sur une plate forme stable et solide, sur un trépied ou sur un poteau (les montages sur poteau et trépied s'appliquent uniquement aux CVP-1152). Les haut-parleurs CVP peuvent également être suspendus avec des boulons à œillets forgés de format standard M10. Veuillez alors consulter les instructions et les avertissements concernant les installations suspendues, plus loin dans ce document.

CES HAUT-PARLEURS SONT LOURDS!

Si vous placez des haut-parleurs sur des supports ou des poteaux, faites preuve de bon sens et respectez les capacités nominales des supports ou poteaux. Il ne faut jamais dépasser la capacité nominale d'un support ou d'un poteau. Il ne faut jamais placer un haut-parleur sur un poteau ou un trépied incliné car le haut-parleur pourrait alors tomber.

Les haut-parleurs actifs Cerwin-Vega! Professional peuvent générer une énergie considérable. Lorsqu'un haut-parleur est placé sur une surface glissante comme du bois ou du linoléum, il peut se déplacer avec les vibrations produites par la force de l'énergie acoustique. Des précautions doivent être prises pour que le haut-parleur ne puisse tomber de la scène ou de la plate forme sur laquelle il est placé.

Le haut-parleur Cerwin-Vega! CVP-1152 possède une douille de montage permettant de l'installer sur un trépied ou sur un poteau. Si vous utilisez un support ou un poteau, il est important de prendre les précautions suivantes:

- Vérifiez, en lisant ses spécifications, que ce dispositif puisse supporter le poids du haut-parleur.
- Observez toutes les consignes de sécurité spécifiées par le fabricant du support.
- Assurez-vous toujours que le support est placé sur une surface plane, stable et horizontale, sans oublier d'allonger complètement les pieds du trépied. Placez le support afin que les pattes ne risquent pas de faire trébucher quelqu'un.
- Faites passer les câbles de sorte que les interprètes, l'équipe de production et le public ne risquent pas de s'y accrocher et de tirer le haut-parleur.
- Ne tentez pas d'installer plusieurs haut-parleurs sur un support conçu pour un seul haut-parleur.
- Soyez toujours très prudent lorsque le matériel est utilisé à l'extérieur et qu'il vente. Il est parfois nécessaire de placer du lest (p. ex. des sacs de sable) sur la base d'un support pour en améliorer la stabilité.
- Sauf si vous avez la certitude de pouvoir soutenir le poids du haut-parleur, demandez l'aide d'une personne pour le monter sur le poteau ou sur le trépied.

Humidité

L'humidité peut endommager le cône du haut-parleur ainsi que le dispositif d'ambiophonie et provoquer une corrosion des contacts électriques. Éviter d'exposer les haut-parleurs directement à l'humidité. Évitez aussi leur exposition prolongée ou intense aux rayons du soleil. Une exposition prolongée à des rayons ultraviolets intenses peut faire sécher prématurément la suspension intérieure du haut-parleur et dégrader les surfaces finies.

Mise sous tension

Pour éviter d'endommager votre haut-parleur et d'autres composants de votre système, lorsque vous allumez votre système, allumez toujours l'amplificateur de puissance en dernier! Vous éliminerez les fortes détonations qui gênent le public et peuvent endommager les haut-parleurs. Lorsque vous éteignez votre système, l'amplificateur de puissance doit toujours être éteint en premier pour la même raison.

Polarité

Si vous utilisez plusieurs systèmes de haut-parleurs, assurez-vous que la polarité (+/-) des connecteurs de haut-parleur concorde avec celle des connecteurs de l'amplificateur. Si les polarités ne concordent pas, les sons produits par le haut-parleur se nuiront mutuellement et il vous sera impossible d'avoir un champ sonore bien équilibré.

Domages à l'ouïe et risques d'une exposition prolongée à des pressions sonores excessives

Les haut-parleurs CVP peuvent facilement générer des niveaux de pression sonore capables de causer des lésions permanentes à l'ouïe des interprètes, des membres de l'équipe de production et du public. Des précautions appropriées doivent être prises pour éviter une exposition prolongée de l'ouïe à des pressions sonores dépassant 85 dB.

4. INSTALLATION ET UTILISATION DES HAUT-PARLEURS CVP-2153 ET CVP-1152

Configurations des entrées / modes pleine gamme et bi-amplification

Les haut-parleurs CVP sont équipés d'un connecteur Speakon 4 broches et de deux entrées de prise téléphonique de 1/4 po. Les haut-parleurs offrent un mode PLEINE GAMME lorsqu'un amplificateur alimente tout le haut-parleur et un mode BI AMP (Speakon uniquement) lorsqu'un amplificateur alimente le haut-parleur à compression et un deuxième amplificateur alimente le ou les haut-parleurs de graves.

Les connecteurs Speakon 4 broches sont configurés comme suit :

- Mode PLEINE GAMME: 1+ positif / 1- négatif. (2+ et 2- ne sont pas utilisés.)
- Mode BI AMP: 1+ FB positif / 1- négatif, 2+ FH positif / 2- FH négatif.

Les prises téléphoniques d'un quart de pouce sont configurées comme suit:

- Mode PLEINE GAMME seulement: Pointe positive / manchon négatif.

Pour mettre le système en mode Bi Amp, exécutez les opérations suivantes:

1. Retirez la grille (douze vis) et le haut-parleur de graves (huit vis). REMARQUE: Polarité des connexions du haut-parleur de grave.
2. Retirez le faisceau de câblage de la position « FULL RANGE » et placez-le sur « BI AMP » au niveau de la plaque de circuits d'entrée et de la plaque de circuits de recouvrement (Figure 1, Full Range Mode).
3. Assurez-vous que le connecteur est correctement enfoncé.
4. Reconnectez le haut-parleur de graves et serrez les huit vis.
5. Réinstallez la grille et les douze vis.

Systèmes d'haut parleurs Cerwin-Vega! CVP-2153 et CVP-1152

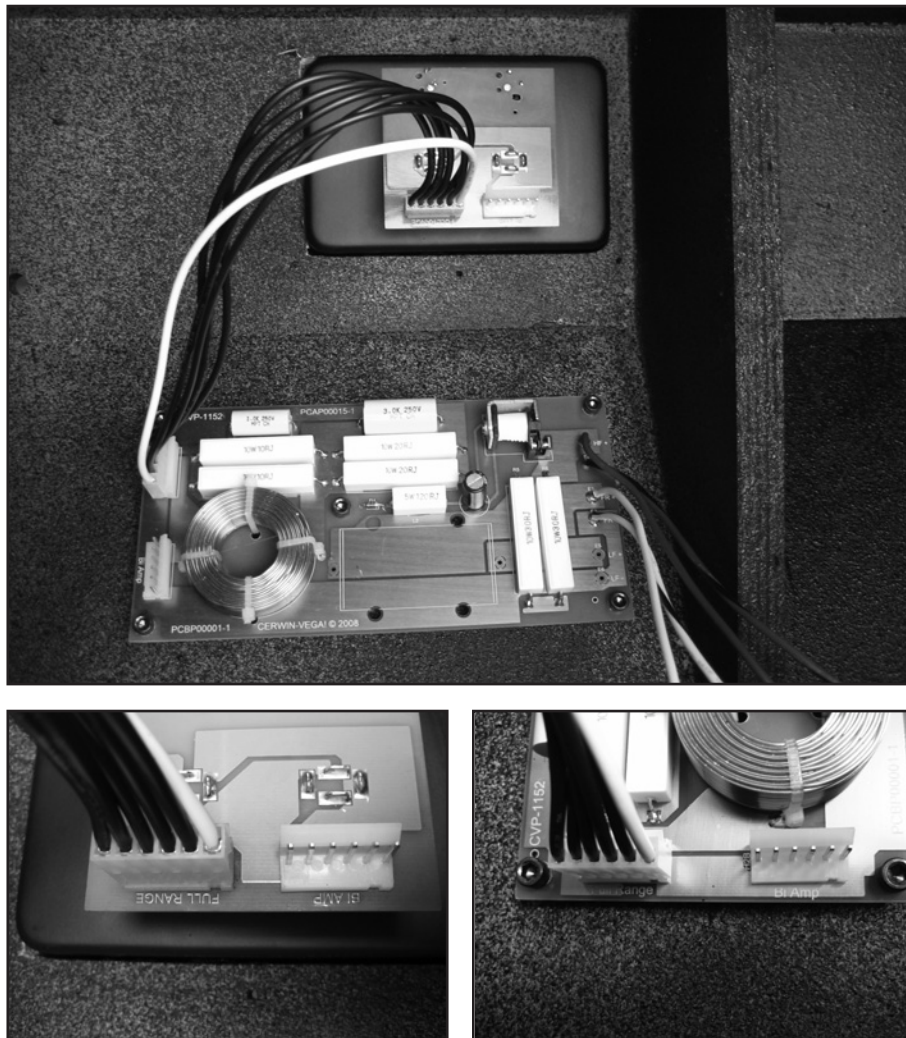


Figure 1, Full Range Mode

Pour mettre le système ne mode pleine gamme, reportez-vous aux étapes 1-5 ci dessus, mais retirez le faisceau de câblage de la position « BI AMP » et placez-le sur « FULL RANGE » au niveau de la plaque de circuits d'entrée et de la plaque de circuits de recouvrement (Figure 2, Bi Amp Mode).

Systèmes d'haut parleurs Cerwin-Vega! CVP-2153 et CVP-1152

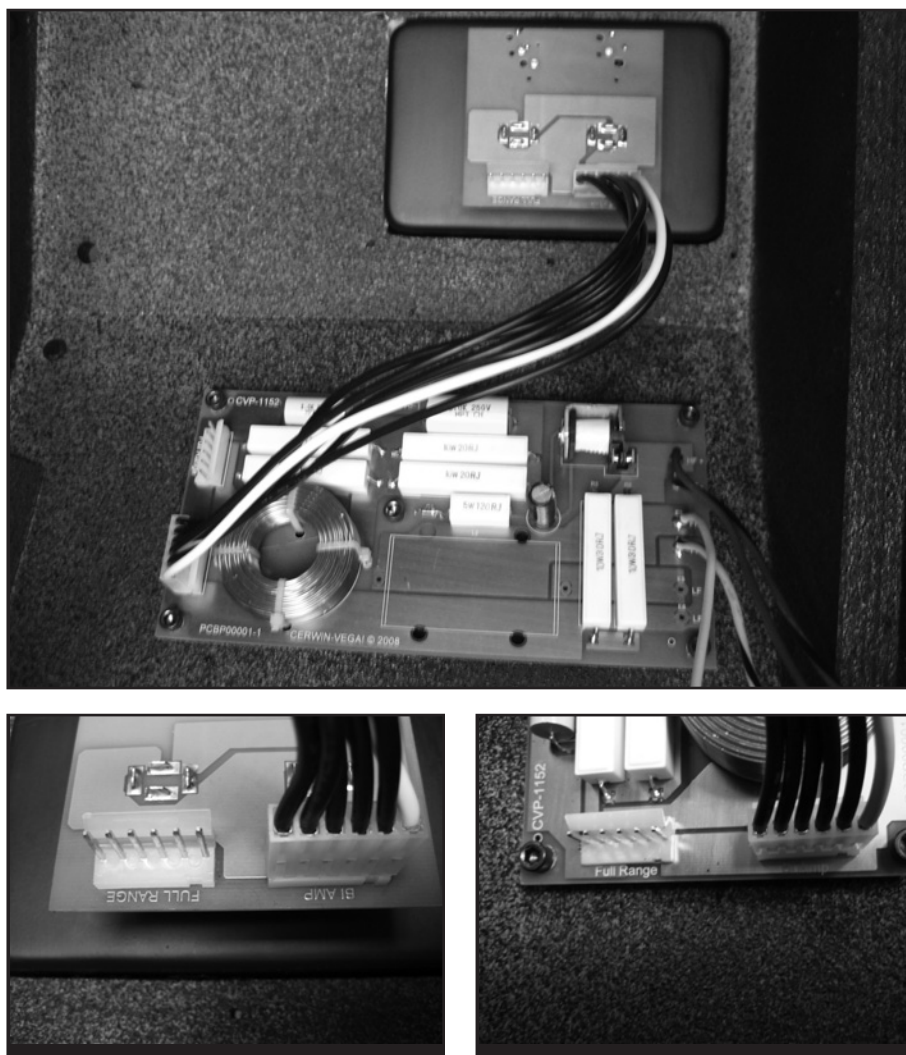


Figure 2, Bi Amp Mode

5. CONNECTER DES HAUT-PARLEURS ET LES RELIER EN CHAÎNE

Les entrées des connecteurs sont mises en parallèle avec les connecteurs « directs » autant en mode pleine gamme qu'en mode bi-amplification, de sorte que l'un ou l'autre des connecteurs puisse fonctionner. L'autre connecteur peut ainsi être utilisé pour envoyer le signal à un autre haut-parleur. Si vous reliez en chaîne plusieurs haut-parleurs, consultez les diagrammes suivantes pour connaître les valeurs d'impédance (exprimées en ohms). (Figure 3)

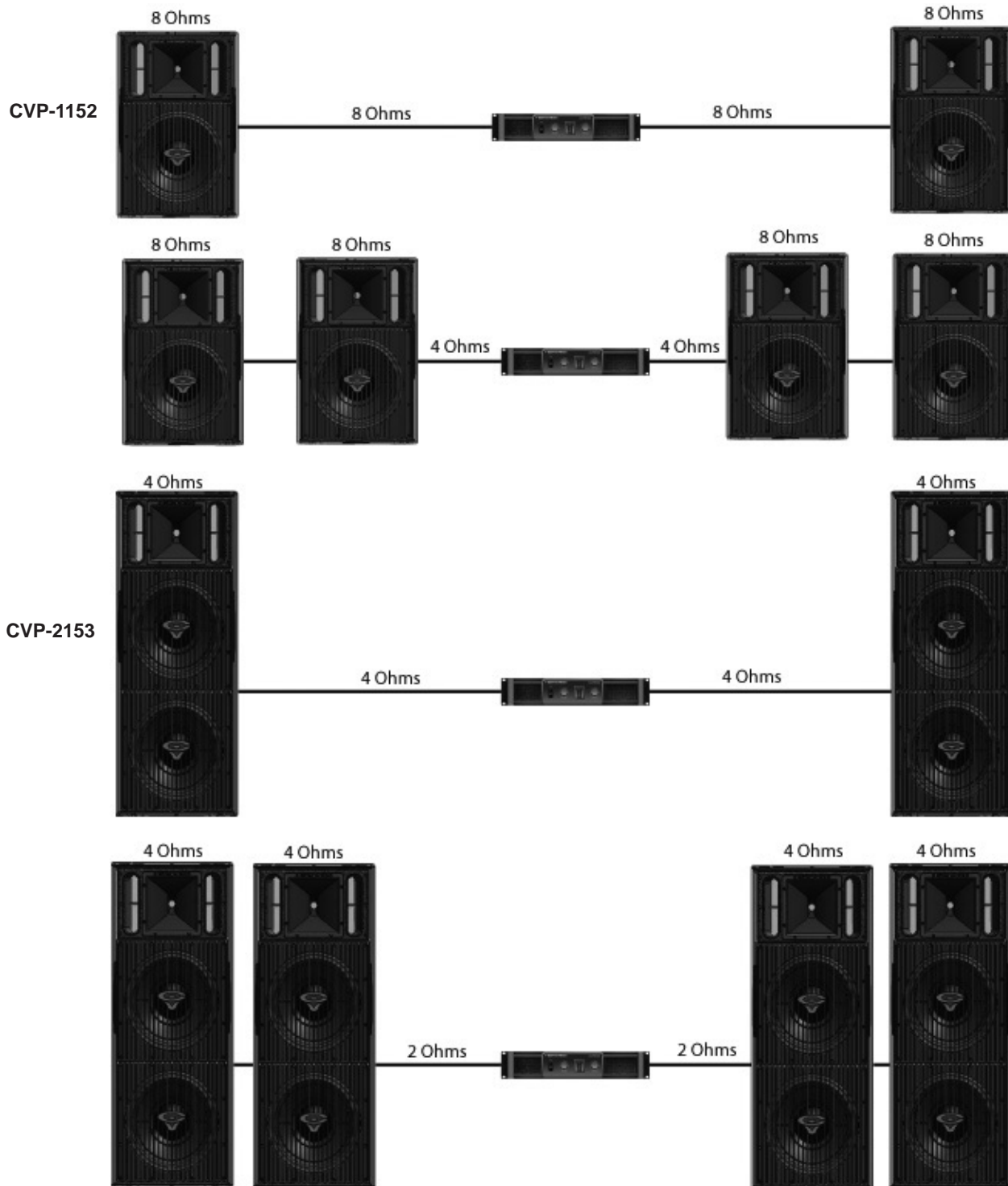


Figure 3

6. CIRCUIT DE PROTECTION À RÉACTION RAPIDE CONTRE LES FRÉQUENCES HAUTES

Vos haut-parleurs CVP sont équipés d'un limiteur supprimeur ultra-rapide qui mesure la tension d'entrée et atténue les niveaux de tension dangereux qui atteindraient autrement vos haut-parleurs d'aigus.

7. PAVILLON ROTATIF

Le pavillon haute fréquence des haut-parleurs CVP est installé avec un angle de 60 degrés avec l'horizontale et de 40 degrés avec la verticale. Le pavillon peut être tourné pour obtenir une inclinaison verticale de 40 degrés et une inclinaison horizontale de 60 degrés et ainsi bénéficier d'un autre type de propagation des fréquences hautes, ce qui est très utile dans certaines situations d'installation, ainsi que si un CVP-1152 est utilisé comme moniteur au sol.

Il suffit d'enlever les vis, puis de tourner le pavillon sur 45 degrés et de replacer les vis en faisant attention de ne pas serrer trop fort.

8. UTILISATION D'UN CVP-1152 COMME MONITEUR AU SOL

Le CVP-1152 peut être utilisé à titre de moniteur au sol. En général, il faut une couverture accrue des fréquences hautes de gauche à droite sur la scène. Suivez les instructions de rotation du pavillon figurant plus haut dans ce document. N'oubliez pas que vous pouvez même tourner la grille pour orienter correctement le logo Cerwin-Vega! C'est vraiment ce que l'on appelle le souci du détail!

Pour tourner la grille, retirez-en d'abord les vis. Sortez la grille et tournez la sur 90 degrés. Remplacez les vis en faisant attention de ne pas trop serrer.

9. AVERTISSEMENT CONCERNANT LES HAUT-PARLEURS SUSPENDUS

Les haut-parleurs CVP doivent être suspendus avec des boulons à œillet forgés M10.

Utilisez uniquement des boulons à œillet ayant une certification professionnelle pour les exigences de charge 10x appropriées.

L'installation de haut-parleurs suspendus n'est pas un travail pour amateurs! Des blessures graves, voire mortelles, peuvent survenir si les haut-parleurs ne sont pas suspendus correctement. Lisez attentivement ces instructions et observez-les à la lettre!

Toute installation de haut-parleurs suspendus doit être conforme aux instructions fournies par Cerwin-Vega! et être faite sous la supervision d'un spécialiste ayant toutes les qualifications professionnelles nécessaires. Utilisez uniquement des fixations, des dispositifs d'attache, des supports et des accessoires recommandés par Cerwin-Vega! ou d'autres produits spécialement conçus pour suspendre des haut-parleurs. Confiez toutes les réparations à des techniciens qualifiés. Une réparation est nécessaire dès qu'un appareil est endommagé d'une façon quelconque.

AVERTISSEMENT! Avant de placer, installer, amarrer ou suspendre un haut-parleur, inspectez toutes les fixations, les accessoires de suspension, les armoires, les transducteurs, les supports et tous les équipements associés. Tout composant manquant, rouillé, déformé ou ne respectant les capacités de charge peut considérablement réduire la solidité de l'installation. Tout problème de ce type risque de gravement réduire la sécurité de l'installation et doit immédiatement être corrigé. Utilisez uniquement des accessoires de fixation capables de soutenir l'équipement installé et de supporter de courtes surcharges occasionnelles. Il ne faut jamais dépasser la capacité nominale des accessoires de fixation. Si vous avez des doutes ou des questions concernant une installation, n'hésitez pas à consulter un technicien qualifié. Cerwin-Vega! ne peut aucunement être responsable que quelque dommage ou obligation découlant d'un système de montage ou de fixation mal installé ou mal entretenu.

10. SUSPENDRE DES HAUT-PARLEURS CVP

Enlevez les vis de supports mobiles sur les points mobiles où vous désirez installer des boulons à œillet M10. Vissez les boulons à œillet M10 en faisant attention de pas endommager les filets au point d'insertion des vis de supports mobiles. N'enlevez pas les vis de supports mobiles aux endroits où vous n'installerez pas de boulon à œillet. Assurez-vous qu'un boulon à œillet ou une vis de support mobile est installé dans tous les emplacements de vis de support mobile.

Réduction de capacité

Si vous utilisez les points de montage en angle, vous réduisez la limite de charge utile (LCU) de chaque point de montage. La capacité nominale de chaque point monté en angle doit être réduite selon la formule suivante:

- $LCU = \cos(\text{angle}) \times 500$
- Où : angle = degrés par rapport à la verticale
500 = LCU pour chaque point de montage CVP à la verticale

Systèmes d'haut parleurs Cerwin-Vega! CVP-2153 et CVP-1152

11. Fiche technique

Cerwin-Vega! CVP	CVP-1152	CVP-2153
Plage de fréquence -10 dB	50 Hz - 20 kHz	37 Hz - 20 kHz
Réponse en fréquence -3 dB	59 Hz - 18.5 kHz	48 Hz - 18.5 kHz
Sensibilité @ 1w / 1 Meter	99 dB	101 dB
Capacité de puissance RMS / PK	500 / 1000 w	1000 / 2000 w
Puissance d'amplificateur recommandée	750 w - 1000 w	1500 w - 2000 w
Puissance sonore maximale	130 dB	134 dB
Projection sonore	60 x 40 rotatif	60 x 40 rotatif
Taille diaphragme FH	1.75"	1.75"
Poids	66.5 lbs	112.5 lbs
Points mobiles	Oui	Oui
Utilisation Bi Amp	Oui	Oui
Pavillon rotatif	Oui	Oui
Protection FH	Limiteur supprimeur rapide	
Haut-parleur de graves	Céramique 3 po VC	
Construction	Bois dur multicouche	
Finition	Peinture polyuréthane	
Cerwin-Vega! CVP	CVP-1152	CVP-2153
Puissance d'amplificateur recommandée en mode Bi Amp	LF - 750 w to 1000 w HF - 100 w -150 w	LF/MF - 1500 w to 2000 w HF - 100 w -150 w
Paramètres de recouvrement Bi Amp	CVP-1152 LPF / HPF	CVP-2153 LPF / HPF
Gain	0 / -12.5 dB	0 / -10 dB
Type	Linkwitz-Riley	Linkwitz-Riley
Pente	-12 dB Oct / -12 dB Oct	-12 dB Oct / -12 dB Oct
Fréq.	2 kHz / 2 kHz	2 kHz / 2 kHz
Impédance	8 Ohms	4 Ohms
Dimensions (H x La x P)	28,1 po x 18,2 po x 16 po 71,4 cm x 46,2 cm x 40,7 cm	45 po x 18,2 po x 19 po 114,3 cm x 46.2 cm x 48,3 cm

Dimensions du haut-parleur CVP-1152 (H x La x P)
(Figure 4)

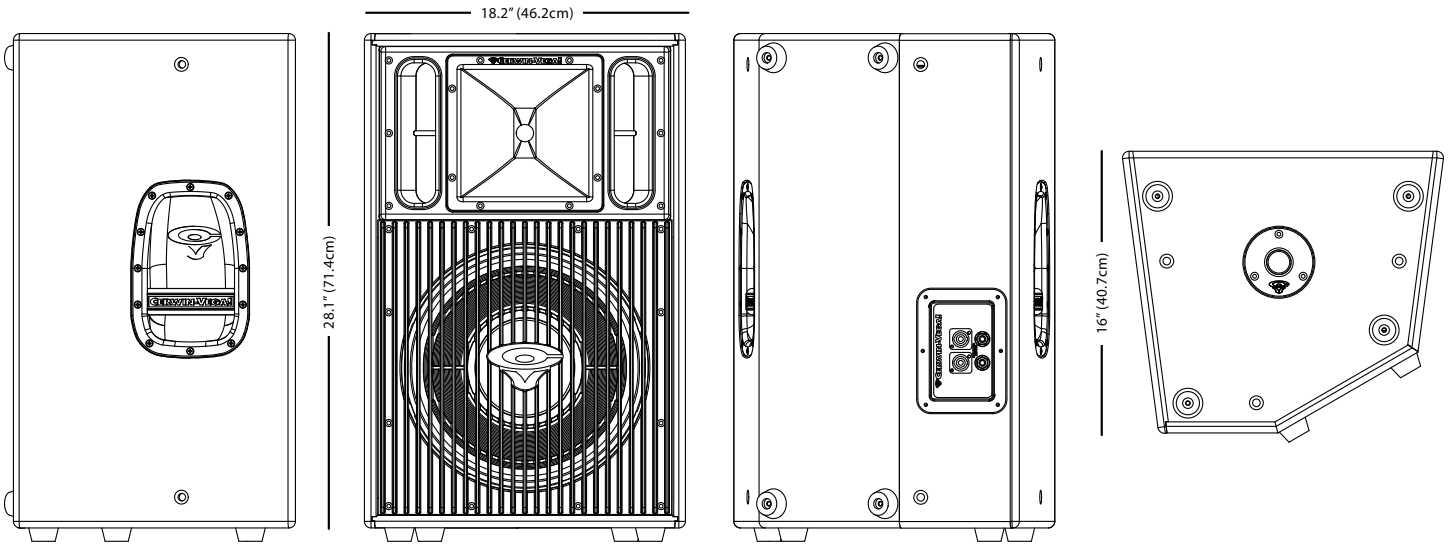


Figure 4

Dimensions du haut-parleur CVP-2153 (H x La x P)
(Figure 5)

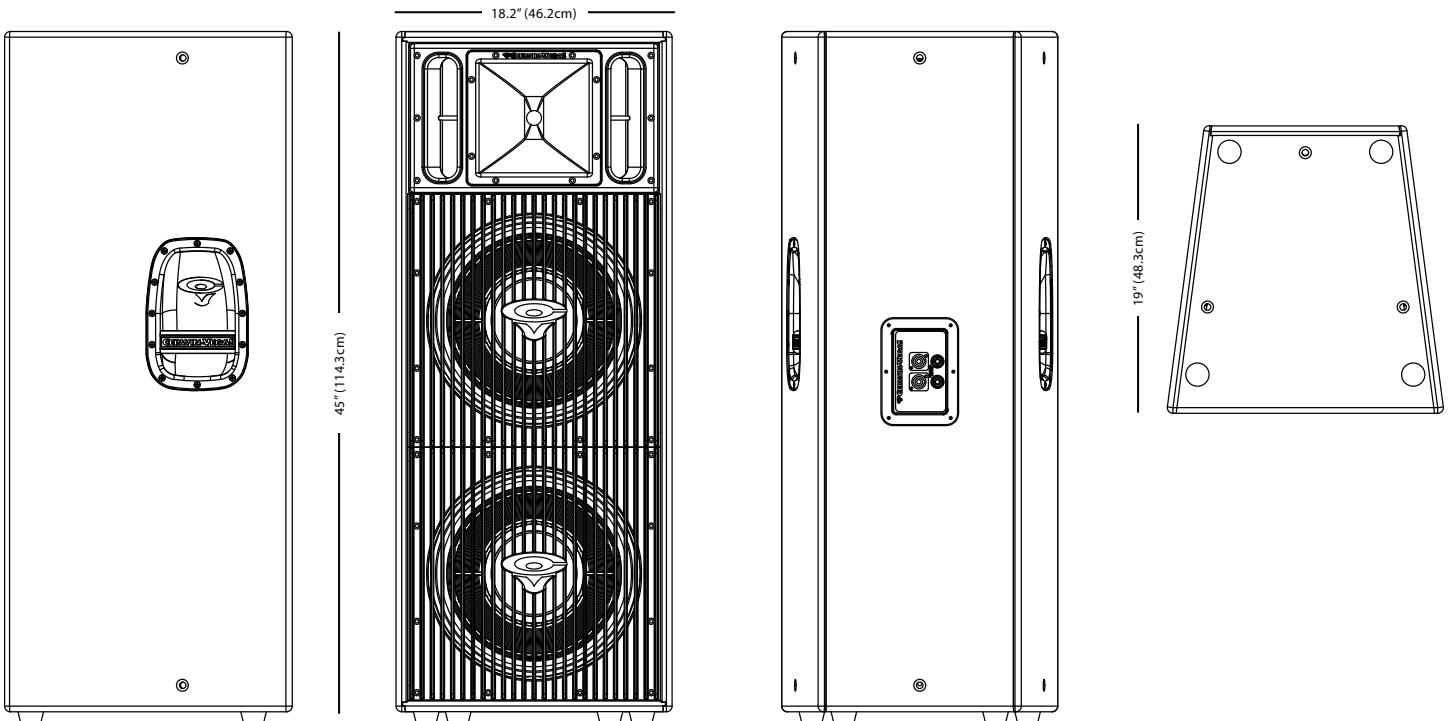


Figure 5



Phone: 1-800-4GIBSON (1-800-444-2766)
Cerwin-Vega! A member of the Gibson family of brands
www.cerwin-vega.com

Cerwin-Vega! reserves the right to make changes to product specification and design at any time.
© Copyright 2012 Cerwin-Vega!